



Stainless steel

Telescopic slides

full extension ball-bearing slide (3 piece), front disconnect and positive lock

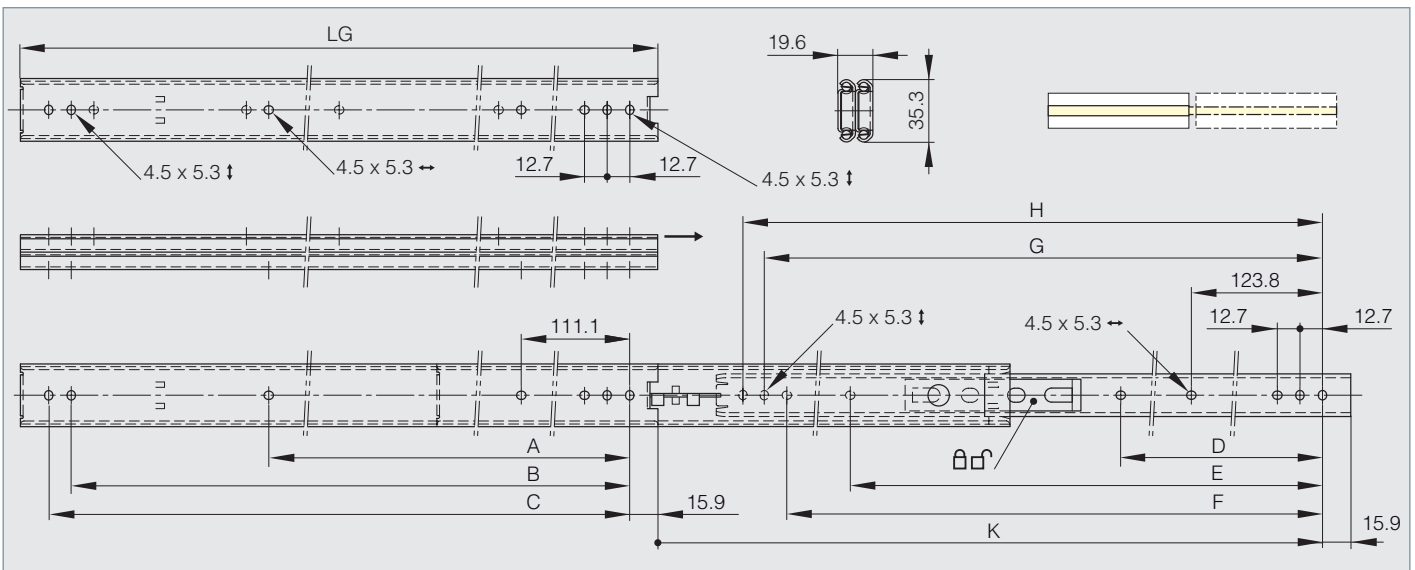
LG = slide length

K = travel length

CN = load rating (kg/pair)



Part number	Material	Finish	LG	A	B	C	D	E	F	G	H	K	CN	Weight (g)
21-7-3569	304 stainless steel	raw	406.4	250.8	361.9	374.6	-	-	349.2	361.9	374.6	421.7	57	840
21-7-3570	304 stainless steel	raw	457.2	301.6	412.7	425.4	212.7	-	400	412.7	425.4	472.5	53	950
21-7-3571	304 stainless steel	raw	508	352.4	463.5	476.2	238.1	-	450.8	463.5	476.2	523.3	49	1030
21-7-3572	304 stainless steel	raw	558.8	403.2	514.3	527	263.5	415.9	501.6	514.3	527	574.1	45	1150
21-7-3573	304 stainless steel	raw	609.6	454	565.1	577.8	288.9	466.7	552.4	565.1	577.8	624.9	42	1280
21-7-3574	304 stainless steel	raw	660.4	504.8	615.9	628.6	314.3	517.5	603.2	615.9	628.6	675.7	39	1400
21-7-3575	304 stainless steel	raw	711.2	555.6	666.7	679.4	339.7	568.3	654	666.7	679.4	726.5	36	1500





Stainless steel

Telescopic slides

full extension ball-bearing slide (3 pieces), front disconnect and positive stop

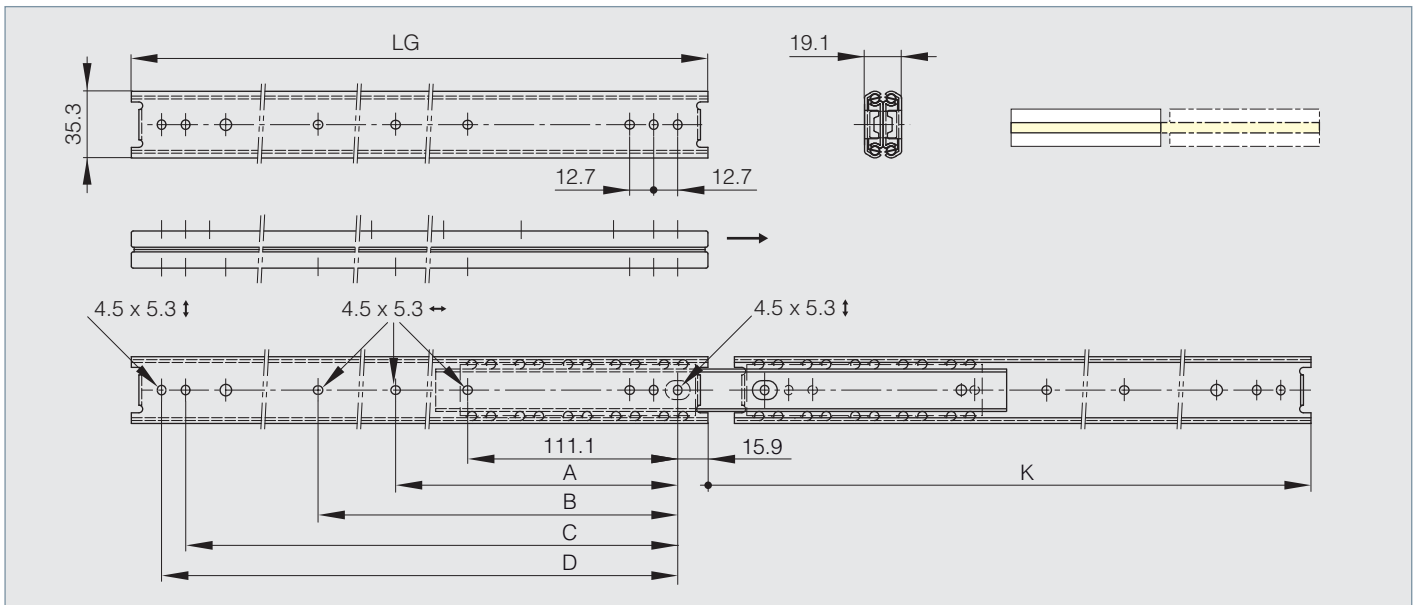
LG = slide length

K = travel length

CN = load rating (kg/pair)



Part number	Material	Finish	LG	A	B	C	D	K	CN	Weight (g)
21-7-3578	304 stainless steel	raw	304.8	-	149.2	260.3	273	327.2	60	620
21-7-3579	304 stainless steel	raw	355.6	-	200	311.1	323.8	378	59	720
21-7-3555	304 stainless steel	raw	406.4	-	250.8	361.9	374.6	428.4	57	820
21-7-3556	304 stainless steel	raw	457.2	212.7	301.6	412.7	425.4	479.2	56	920
21-7-3557	304 stainless steel	raw	508	238.1	352.4	463.5	476.2	530	54	1025
21-7-3558	304 stainless steel	raw	558.8	263.5	403.2	514.3	527	580.8	51	1125
21-7-3559	304 stainless steel	raw	609.6	288.9	454	565.1	577.8	631.6	49	1225
21-7-3560	304 stainless steel	raw	660.4	314.3	504.8	615.9	628.6	682.4	47	1325
21-7-3561	304 stainless steel	raw	711.2	339.7	555.6	666.7	679.4	733.2	45	1425





Stainless steel

Telescopic slides

heavy duty, full extension ball-bearing slide (3 pieces), front disconnect and positive stop

LG = slide length

K = travel length

CN = load rating (kg/pair)



Part number	Material	Finish	LG	A	B	C	K	CN	Weight (g)
21-7-3548	304 stainless steel	raw	406.6	-	250.8	374.6	420.6	259	2340
21-7-3549	304 stainless steel	raw	457.4	212.7	301.6	425.4	471.4	250	2500
21-7-3550	304 stainless steel	raw	508.2	238.1	352.4	476.2	522.2	241	2840
21-7-3551	304 stainless steel	raw	559	263.5	403.2	527	573	229	3250
21-7-3552	304 stainless steel	raw	609.8	288.9	454	577.8	623.8	216	3500
21-7-3553	304 stainless steel	raw	660.6	314.3	504.8	628.6	674.6	200	3840
21-7-3554	304 stainless steel	raw	711.4	339.7	555.6	679.4	725.4	182	4170

