



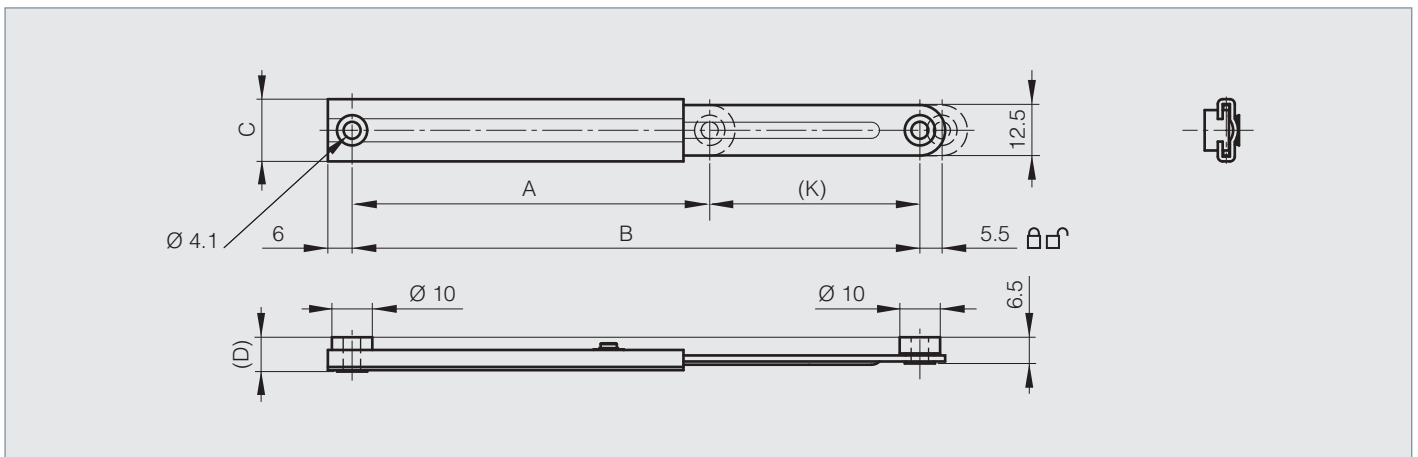
Stainless steel

Lid & support stays

Support stays with automatic release - small size

Load capacity : 6 kg.

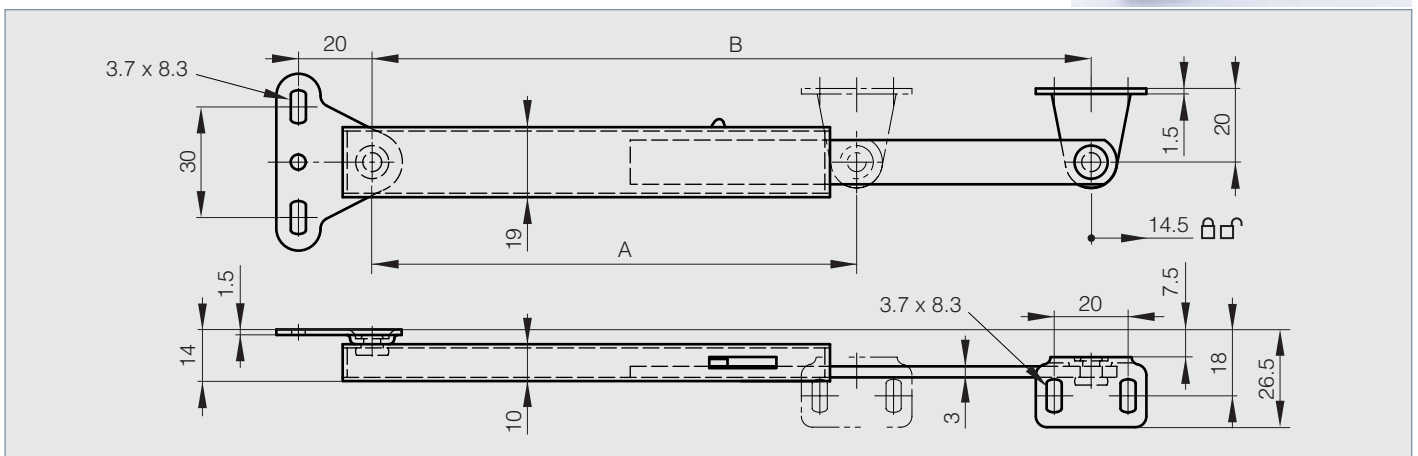
Part number	Material	Finish	A	B	C	D	K	Weight (g)
24-7-3577	304 stainless steel	raw	67	100	15.4	8.8	32	10
24-7-3571	304 stainless steel	raw	88	140	15.4	8.8	52	40



Support stays with automatic release in stainless steel

Load capacity : 15 kg.

Part number	Material	Finish	A	B	Weight (g)
24-7-3552	304 stainless steel	satin	133	195	125
24-7-3553	304 stainless steel	satin	170	270	150





Stainless steel

Lid & support stays

Support stays with manual release

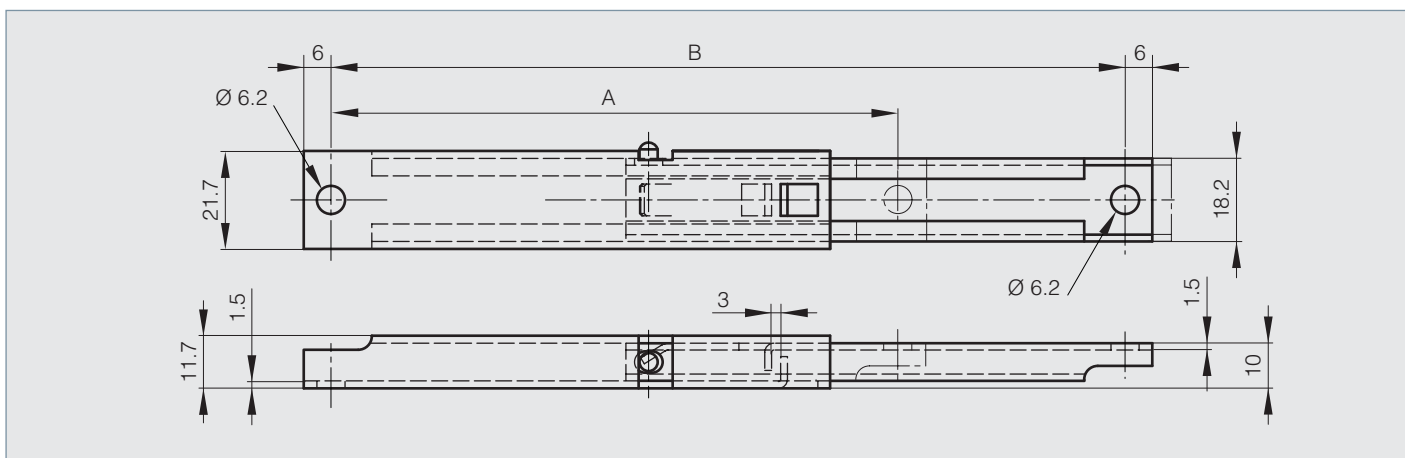
A = closed dimension

B = extended dimension

Load capacity: 50 kg.

Push button release.

Part number	Material	Finish	A	B	Weight (g)
24-1-3558	304 stainless steel	raw	125	173	101
24-1-3559	304 stainless steel	raw	150	225	125
24-1-3560	304 stainless steel	raw	175	275	145

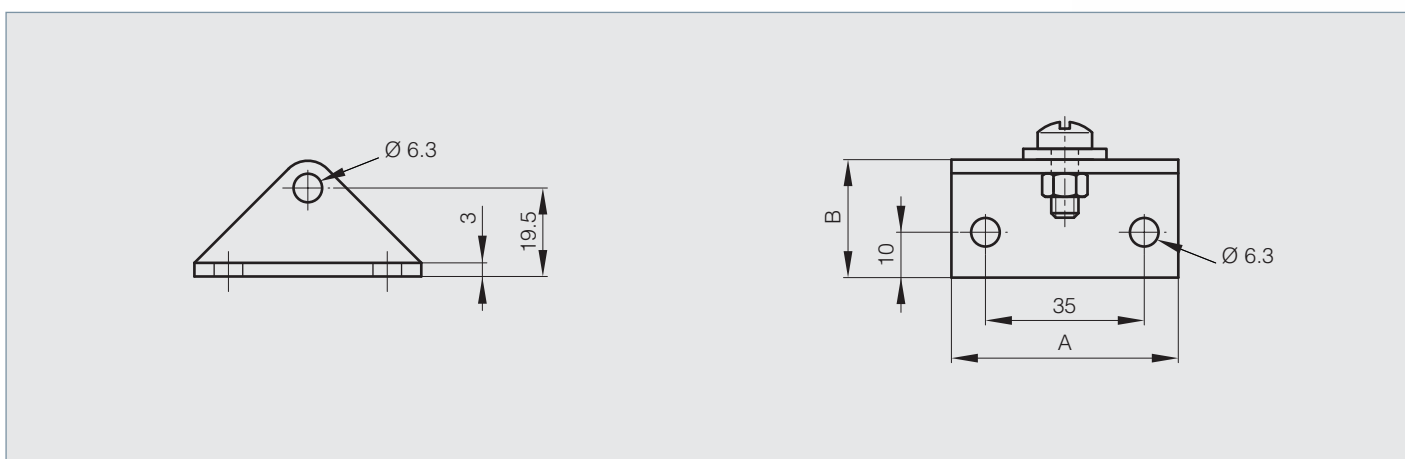


Bracket

Complete with M6 screw, M6 nut and 3 mm thick washer.

For part numbers 24-1-3558, 24-1-3559 and 24-1-3560.

Part number	Material	Finish	A	B	Weight (g)
99-1-3558	stainless steel	raw	50	26	54





Stainless steel

Lid & support stays

Multi-angle lid stay with lock

NEW!

Locking lid in multiple positions by manually sliding lock lever.

Slide back lever to lock / unlock.

Ideal for vibration or shock applications.

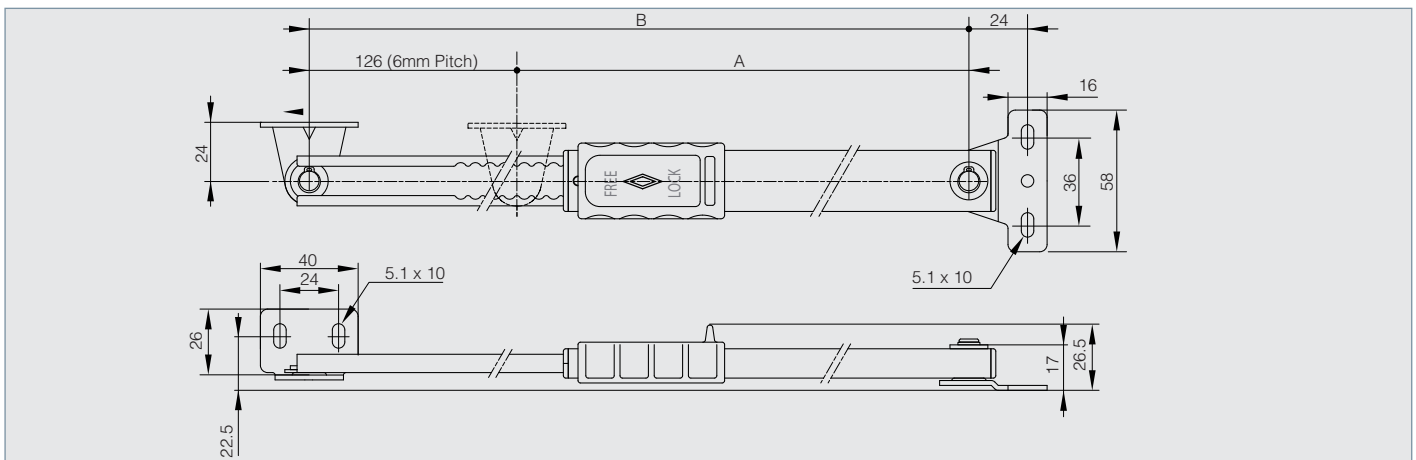
Can be installed individually or in pairs.

Non-handed : can be installed on left or right side.

Compression load : max. 290 N.



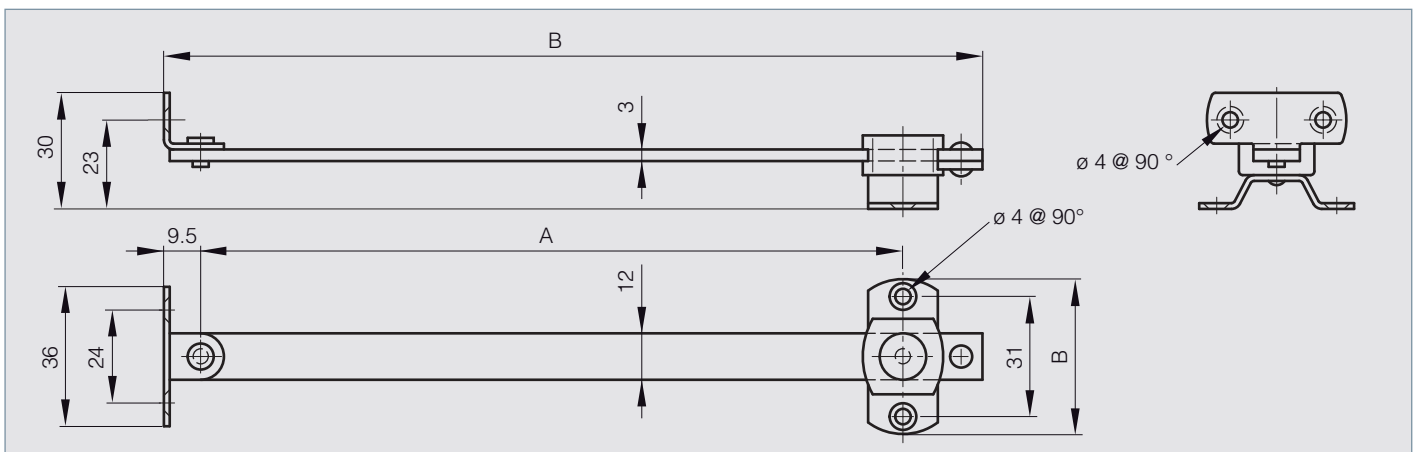
Part number	Material	Finish	A	B	Weight (g)
24-7-3580	304 stainless steel	satin	224	350	325



Lid stay

For holding lids or panels in open position (vertical to horizontal).

Part number	Material	Finish	A	B	Weight (g)
24-7-3546	304 stainless steel	satin	210	180	89.5
24-7-3547	304 stainless steel	satin	240	210	94.5
24-7-3548	304 stainless steel	satin	270	240	106.5





Stainless steel

Lid & support stays

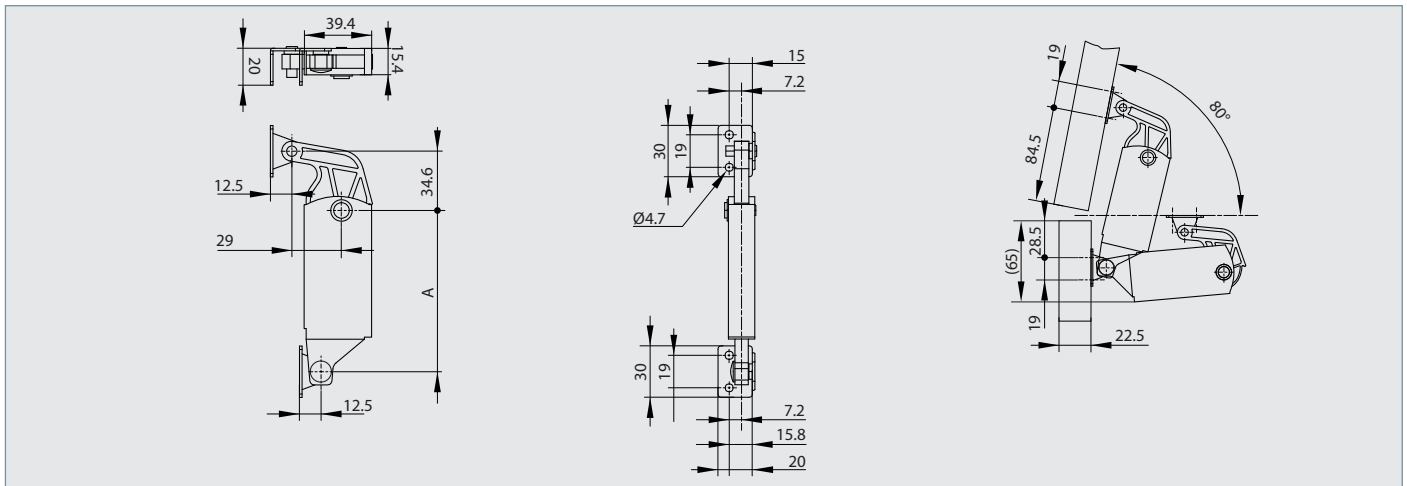
Heavy duty spring loaded lid stay

NEW!

- Spring mechanism assists in lifting door and holds in open position (10° to 80°).
- Can be installed individually or in pairs.
- Non-handed: can be installed on left or right side.
- Torque calculation:
 $Torque (N.m) = H(m) \times \frac{1}{2} \times W (kg) \times 9.8$ with:
 - H = door height (m)
 - W = door weight (kg)



Part number	Material	Finish	A	Note	Weight (g)
24-7-3579	430 stainless steel	raw	94.2	6.1 - 11.8 N.m	195



Easy Operation with power assist



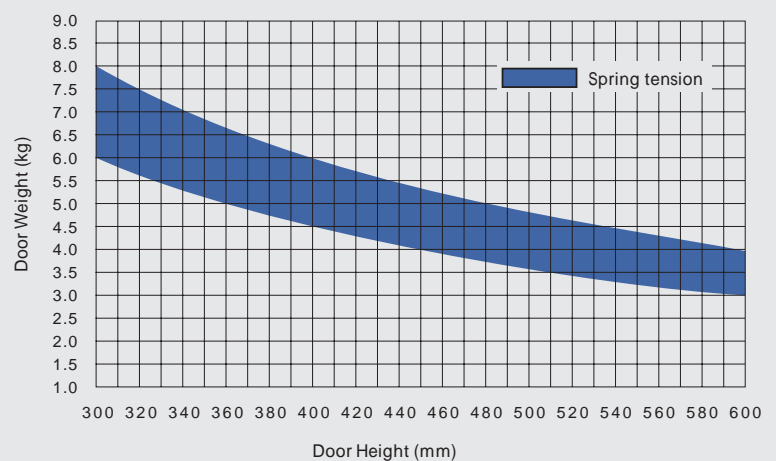
Free stop



Compact



Selection graph



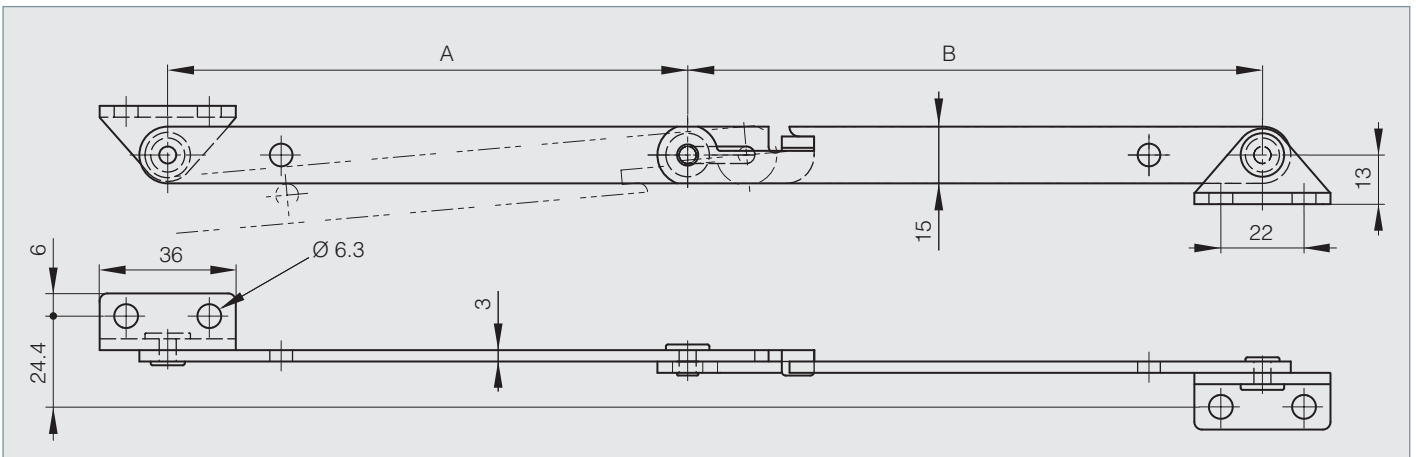


Stainless steel

Lid & support stays

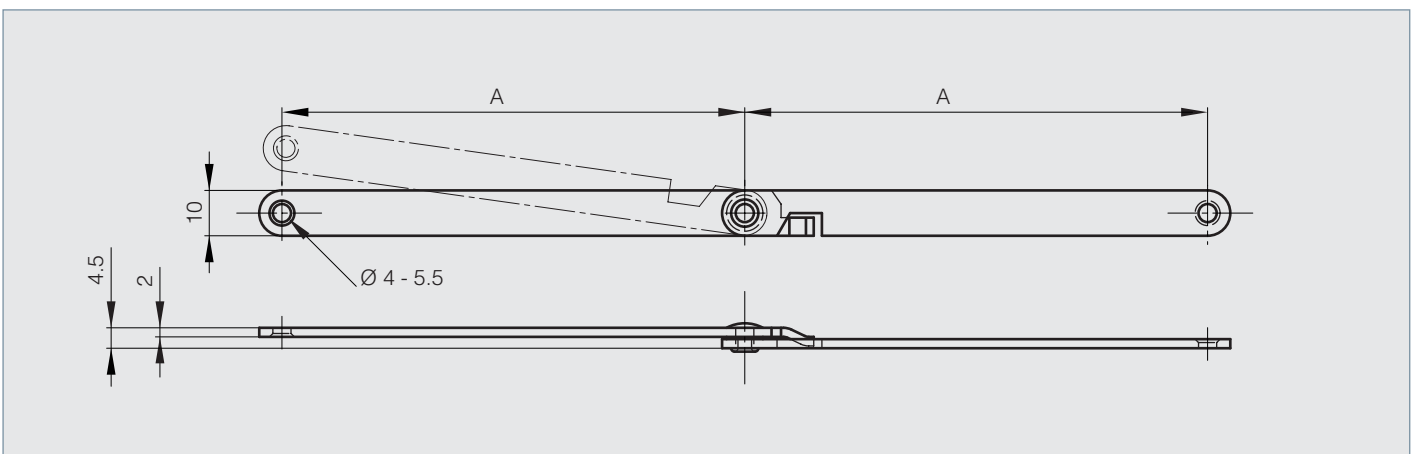
Stay with safety stop

Part number	Material	Finish	A	B	Note	Weight (g)
24-1-9000	304 stainless steel	raw	139	151	symmetrical version not shown	148
24-1-9001	304 stainless steel	raw	139	151	as shown below	148



Stays without bracket

Part number	Material	Finish	A	Note	Weight (g)
24-1-0247	304 stainless steel	polished	102	as shown below	35
24-1-0248	304 stainless steel	polished	102	symmetrical version not shown	35





Stainless steel

Lid & support stays

Door holders

NEW!

Automatically locks door when fully opened. Slide the locking lever to release the lock.

Tensile force : Max 1500 N.

Compression load : Max 600 N.

Handed : specific left and right hand mounting.



Part number	Material	Finish	A	Note	Weight (g)
22-7-3548	304 stainless steel	polished	200	type 2 not shown	630
22-7-3547	304 stainless steel	polished	200	type 1 as shown below	630

