



Stainless steel

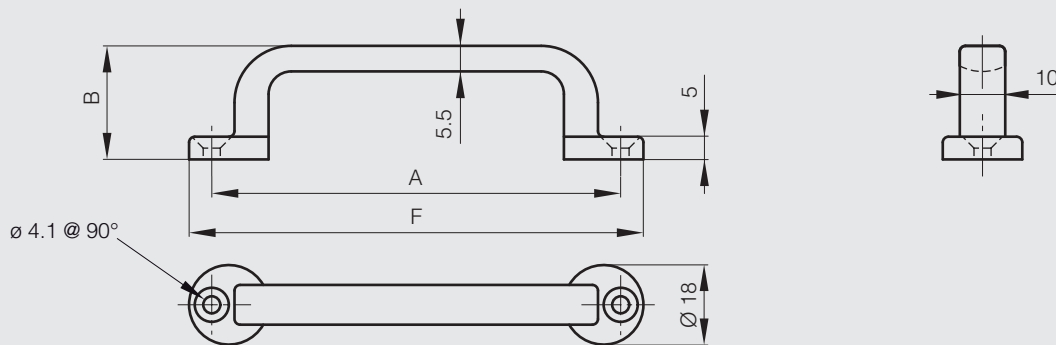
Handles

Front mounted grab handle 88 mm

Complete with wood screws.



Part number	Material	Finish	A	B	F	Weight (g)
19-7-3693	304 stainless steel	mirror polished	88	25	100	68.5



Front mounted grab handles 107 mm in steel or stainless steel

Handle made from galvanised steel is pregalvanised. Therefore any cut surface is ungalvanised.



Part number	Material	Finish	A	B	C	F	Weight (g)
19-1-3797	304 stainless steel	deburred	107	21	15	120	32





Stainless steel

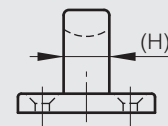
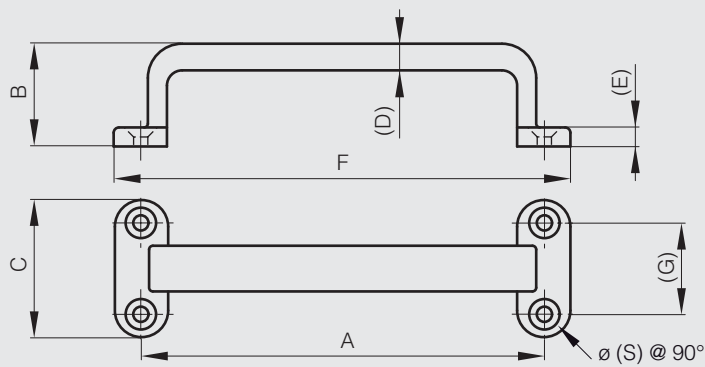
Handles

Front mounted grab handles 106 and 126 mm

Complete with wood screws.



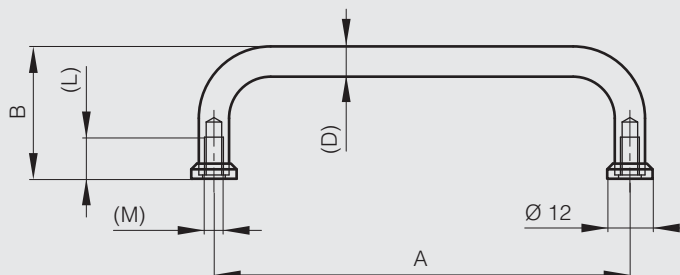
Part number	Material	Finish	A	B	C	D	E	F	G	H	S	Weight (g)
19-7-3694	304 stainless steel	mirror polished	106	27	24	7	5	120	24	12	4.1	131
19-7-3695	304 stainless steel	mirror polished	126	33	30	8	6	150	30	15	5.3	242



Rear mounted grab handle 110 mm



Part number	Material	Finish	A	B	D	L	M	Weight (g)
19-1-3424	304 stainless steel	polished	110	35	8	11	5	61





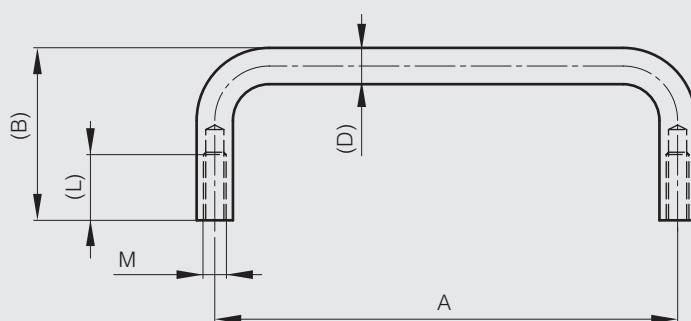
Stainless steel

Handles

Rear mounted grab handles 95 to 150 mm

For use with M4 screws.

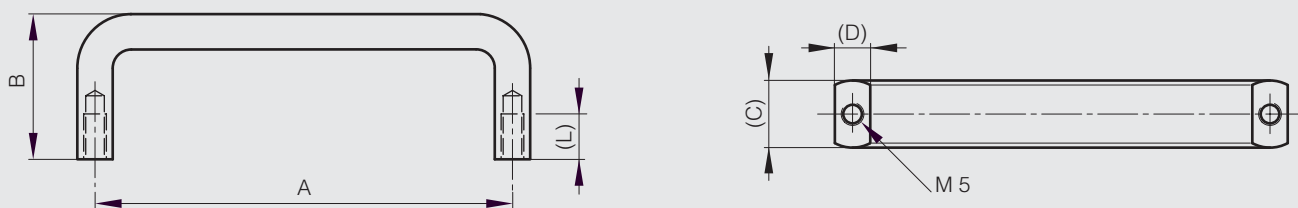
Part number	Material	Finish	A	B	D	L	M	Weight (g)
19-7-3701	304 stainless steel	raw	95	28	9	8	4	76
19-7-3700	304 stainless steel	raw	120	28	9	8	4	88
19-7-3699	304 stainless steel	raw	150	28	9	8	4	103



Rear mounted grab handles 92 to 200 mm

Complete with M5 screws.

Part number	Material	Finish	A	B	C	D	L	Weight (g)
19-1-3833	316 stainless steel	mirror polished	92	32	14.8	7.8	10	120
19-7-3696	304 stainless steel	mirror polished	100	40	14	8	11	120
19-1-3834	316 stainless steel	mirror polished	110	32	14.8	7.8	10	120
19-7-3697	304 stainless steel	mirror polished	150	50	14	8	11	174
19-7-3698	304 stainless steel	mirror polished	200	50	14	8	11	210





Stainless steel

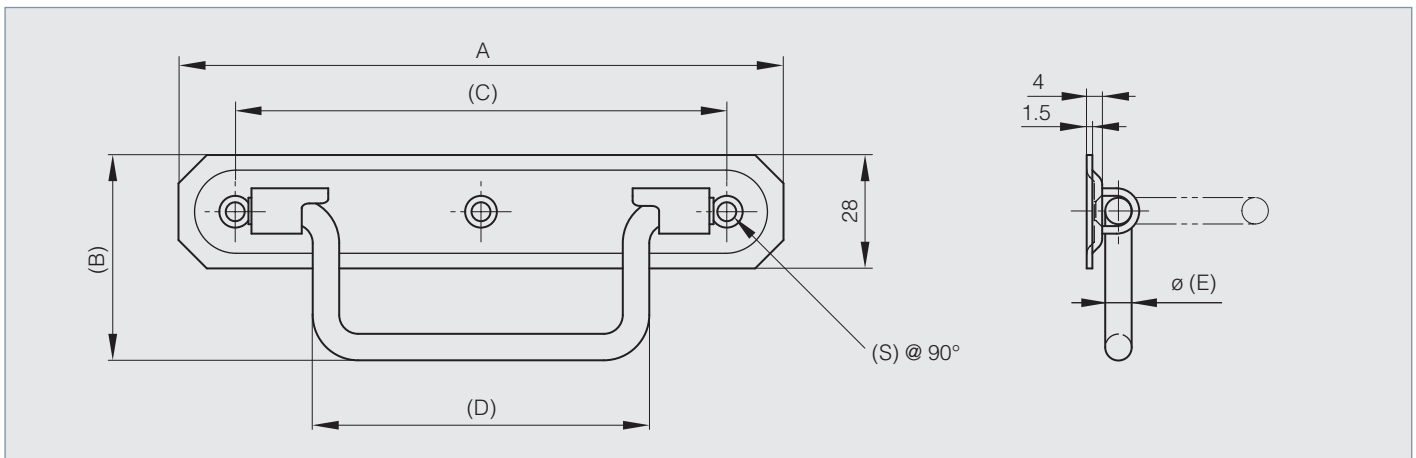
Handles

Drop handle with chamfremed angles - load 35 kg

With 90° stop.



Part number	Material	Finish	A	B	C	D	E	S	Note	Weight (g)
19-7-3690	304 stainless steel	raw	158	54	130	89	7	5.2	load : 35 kg / chamfremed angles	120



Spring loaded handle 130 mm - load 34 kg - 180° opening

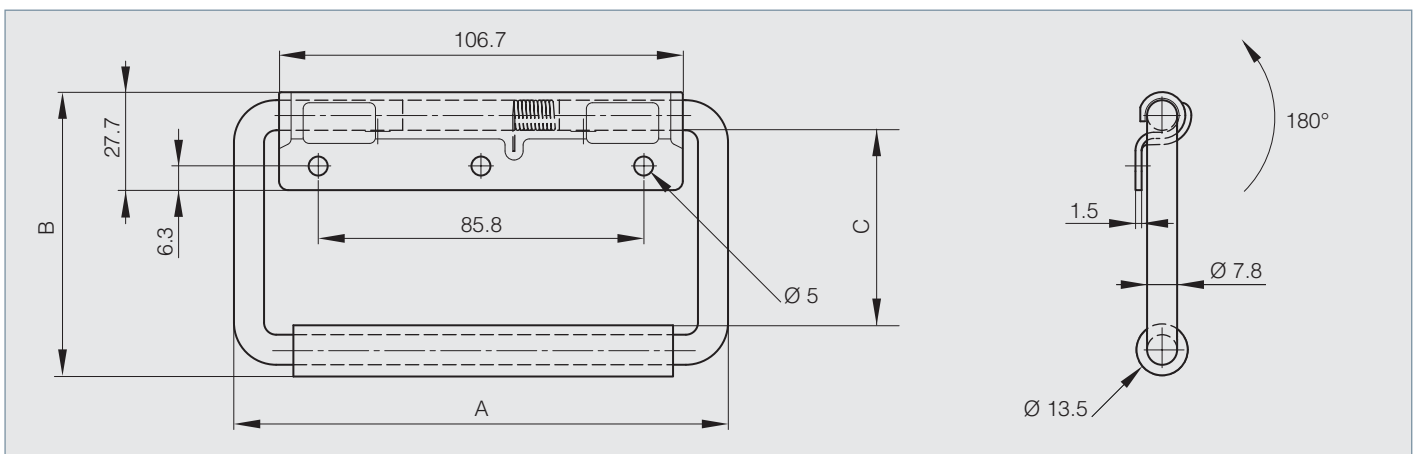
Maximum load : 34 kg.

With 180° stop.

Rubber grip in EPDM.



Part number	Material	Finish	A	B	C	Weight (g)
19-7-3711	stainless steel	passivated	130	75.4	46	227





Stainless steel

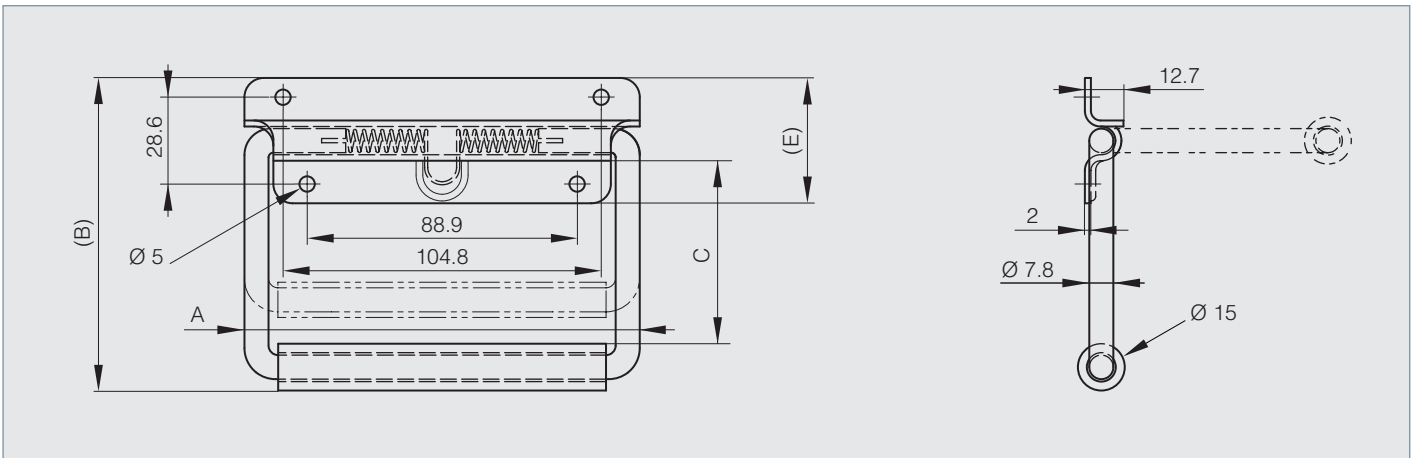
Handles

Spring loaded handles 130.3 mm - load 45 kg

Maximum load: 45 kg
 With 90° stop.
 Rubber grip.



Part number	Material	Finish	A	B	C	E	Weight (g)
19-7-3746	stainless steel	raw	130.3	82.6	38.1	41.9	272
19-7-3741	stainless steel	raw	130.3	104.1	60.4	41.9	272

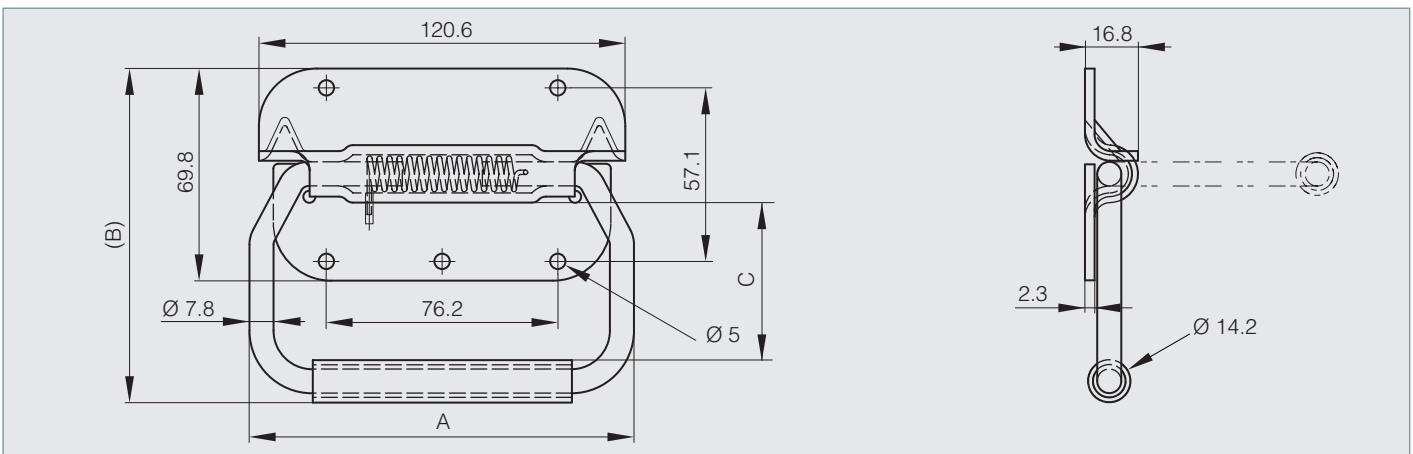


Spring loaded handle 130 mm - load 54 kg

Maximum load : 54 kg.
 With 90° stop.
 A special aluminium sleeve located between the rubber grip and the bail assures the grip will not ride up on the bail during lifting. Adds comfort and durability.
 Fungus resistant neoprene.
 Meets military specifications MIL.T.945, MIL.C.4150.



Part number	Material	Finish	A	B	C	Weight (g)
19-7-3725	stainless steel	raw	130	112.7	50.8	317





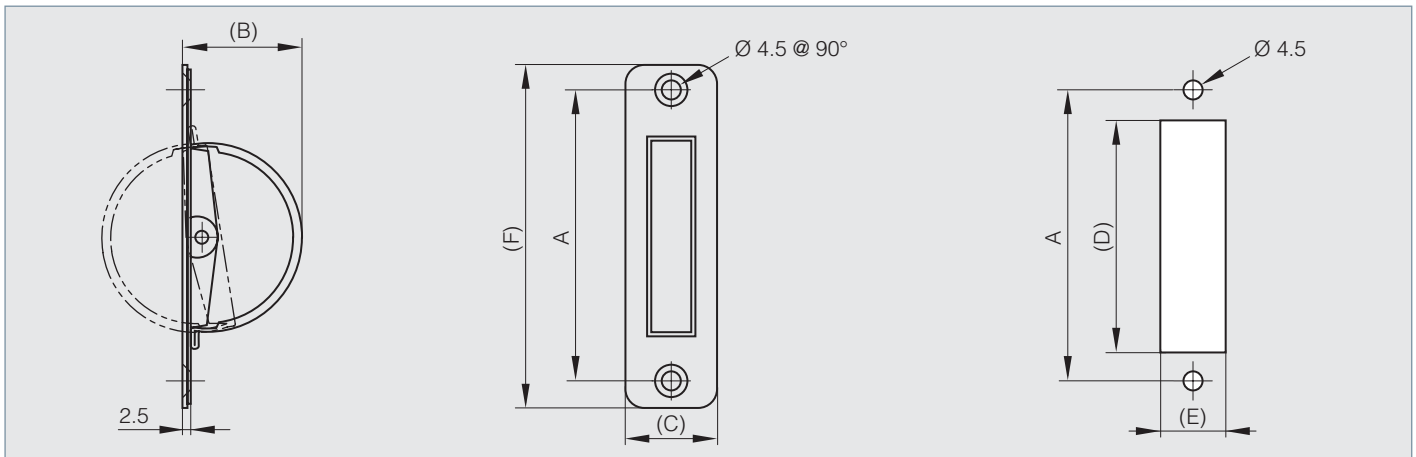
Stainless steel

Handles

Retractable flush handle in stainless steel



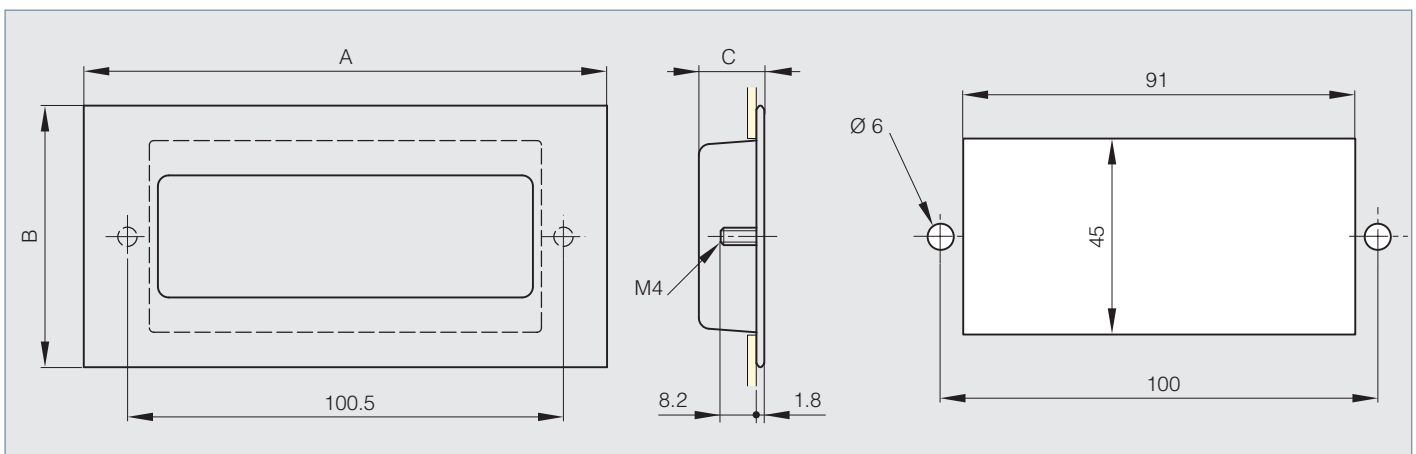
Part number	Material	Finish	A	B	C	D	E	F	Weight (g)
19-7-3814	304 stainless steel	satin	94	42	24	72	18	110	55



Bolt-on flush handle 120 x 60 mm



Part number	Material	Finish	A	B	C	Weight (g)
19-7-3831	304 stainless steel	satin	120	60	15	54





Stainless steel

Handles

Bolt-on flush handle 120 x 62 mm



Part number	Material	Finish	A	B	C	Weight (g)
19-7-3832	304 stainless steel	satın	120	62	16	60

