



# Latching systems

## Quarter turns

### Clip-on quarter turn with wing head Clip'n Turn

**NEW!**

This part number includes a body and a clip.

3 cam heights available.

Straight cam for heights H=18 and H=25 (as shown on the drawing).

Cranked cam for height H=13.5.

Product in white color : on demand.

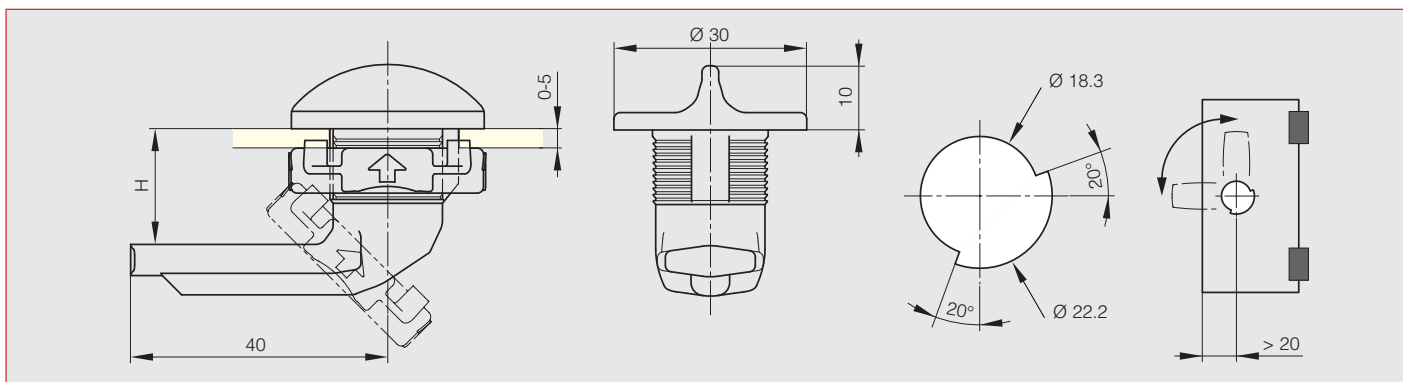
This quarter turn can be mounted on door thicknesses up to 6 mm.

Clip can be ordered separately with part number 16-1-8007 (dimension 36x30 mm).

Patented.



Part number	Material	Finish	H	Weight (g)
16-1-8001	POM / PA	black	13.5	14
16-1-8003	POM / PA	black	18	14
16-1-8008	POM / PA	white	18	14
16-1-8005	POM / PA	black	25	14



### Clip-on quarter turn with slotted shape Clip'n Turn

**NEW!**

This part number includes a body and clip.

3 cam heights available.

Straight cam for heights H=18 and H=25.

Cranked cam for height H=13.5 (as shown below).

Product in white color : on demand.

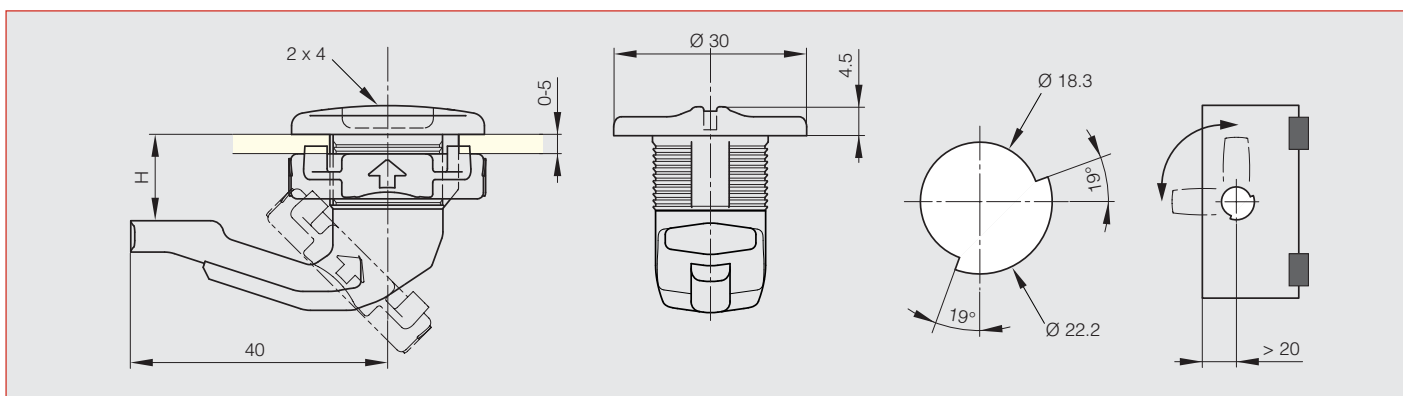
This quarter turn can be mounted on door thicknesses up to 6 mm.

Clip can be ordered separately with part number 16-1-8007 (dimension 36x30 mm).

Patented.



Part number	Material	Finish	H	Weight (g)
16-1-8002	POM / PA	black	13.5	14
16-1-8004	POM / PA	black	18	14
16-1-8009	POM / PA	white	18	14
16-1-8006	POM / PA	black	25	14





# Latching systems

## Quarter turns

### Quarter turn with wing knob

**NEW!**

2 different keys available :

- key 455 E : part number 16-1-4226

- key 405 E : part number 16-1-4228

Supplied with 2 keys.

2 cams available :

16-1-4227 : flat cam (H18 L35)

16-1-4229 : cranked cam (H11 L50). Same cam can be assembled upside down for H25.

Cut-out : 19,5 x 23,1 mm

Door thickness : max. 12,5 mm

Material : wing knob in black PA, housing in zinc die-cast, key / cylinder / cam in steel, nut in brass.



Part number	Material	Finish	H	L	Note	Weight (g)
16-1-4227	steel	zinc plated	18	35	flat cam	15
16-1-4226	zinc die-cast and PA	black			key 455 E	96
16-1-4229	steel	zinc plated	11	50	cranked cam	24
16-1-4228	zinc die-cast and PA	black			key 405 E	96

