



Hinges

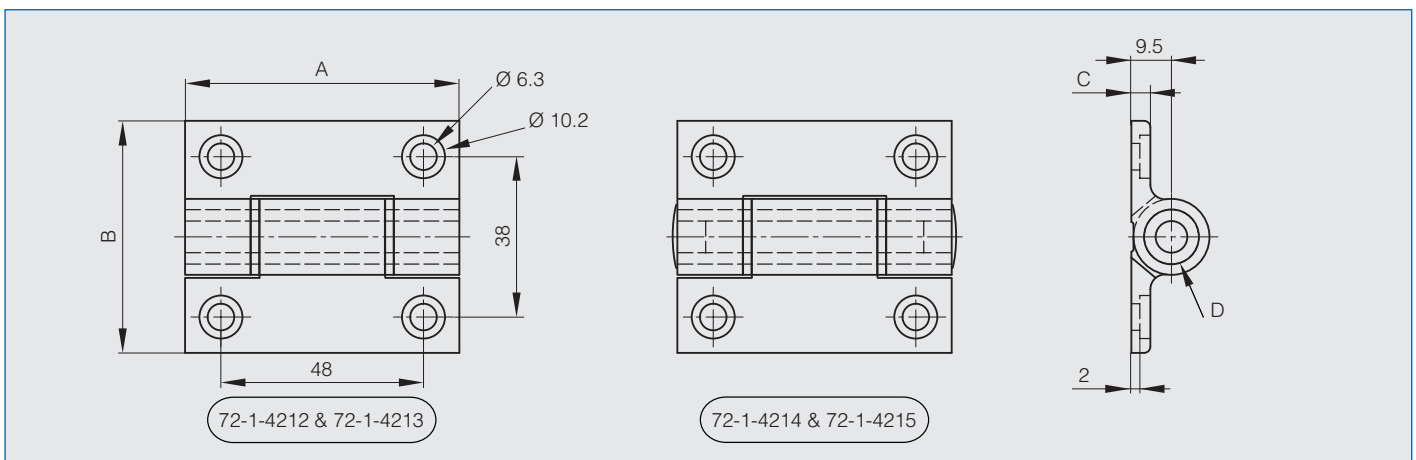
Aluminium hinges

Aluminium profile hinges

This hinge has the same footprint and design as our friction, detent and spring hinges. All are fully interchangeable. Plastic pin with or without end caps.



Part number	Material	Finish	A	B	C	D	Note	Weight (g)
72-1-4212	alu 6060 T5	clear anodised	65	55	4.5	13	without cap	130
72-1-4213	alu 6060 T5	black anodised	65	55	4.5	13	without cap	130
72-1-4214	alu 6060 T5	clear anodised	65	55	4.5	13	with cap	130
72-1-4215	alu 6060 T5	black anodised	65	55	4.5	13	with cap	130



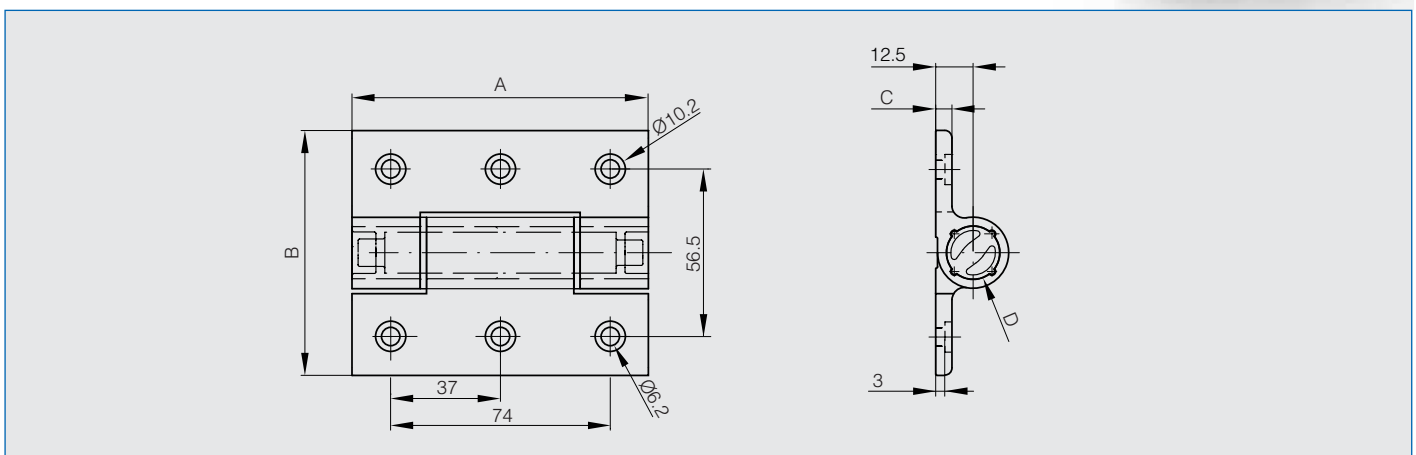
Heavy duty aluminium profile hinges

NEW!

Free swinging hinge. It has the same footprint and design as the spring hinge for heavy duty applications (part numbers : 72-1-4231, 72-1-4232, 72-1-4258 and 72-1-4259). All are fully interchangeable.



Part number	Material	Finish	A	B	C	D	Weight (g)
72-1-4241	alu 6060 T5	clear anodised	100	82.5	5.5	24	148
72-1-4242	alu 6060 T5	black anodised	100	82.5	5.5	24	148



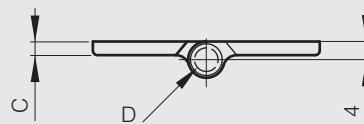
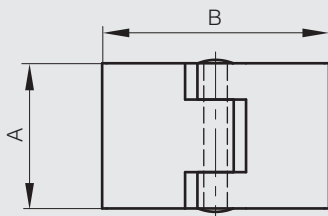


Aluminium hinges - 50 mm width

Hinge with 304 stainless steel riveted pin.



Part number	Material	Finish	A	B	C	D	Weight (g)
72-1-3635	alu 6060 T5	raw	32	50	3	5.2	20
72-1-3636	alu 6060 T5	raw	50	50	3	5.2	30

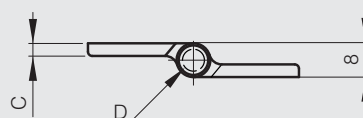
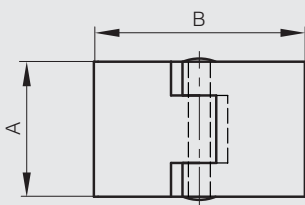


Aluminium hinges with reversed leaves - 50 mm width

Hinge with 304 stainless steel riveted pin.



Part number	Material	Finish	A	B	C	D	Weight (g)
72-1-3637	alu 6060 T5	raw	32	50	3	5.2	20
72-1-3638	alu 6060 T5	raw	50	50	3	5.2	30





Hinges

Aluminium hinges

Clean room hinge 65 x 60 mm

NEW!

No metal-to-metal contact. Polyacetal bushings minimize particles.

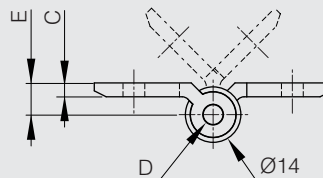
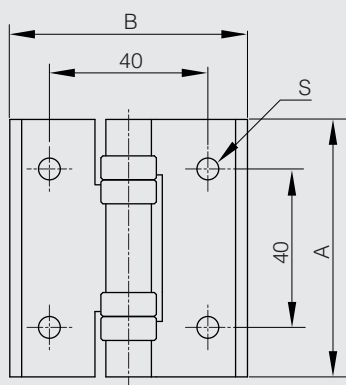
Door size : max. W600 x L800.

Door weight : max. 8 kg/pair.

303 stainless steel pin.



Part number	Material	Finish	A	B	C	D	E	S	Weight (g)
72-7-4252	aluminium	anodised	65	60	3.5	5	8	5.5	50



Clean room hinge 100 x 60 mm

NEW!

No metal-to-metal contact. Polyacetal bushings minimize particles.

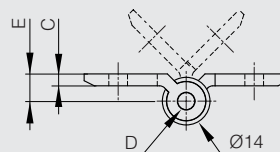
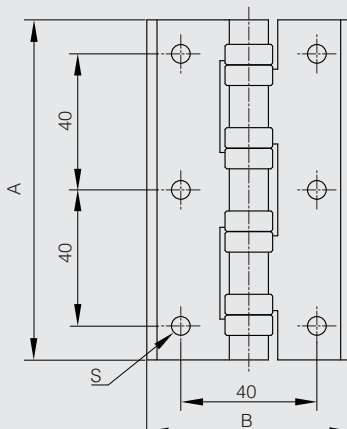
Door size : max. W600 x L800.

Door weight : max. 8 kg/pair.

303 stainless steel pin.



Part number	Material	Finish	A	B	C	D	E	S	Weight (g)
72-7-4253	aluminium	anodised	100	60	3.5	5	8	5.5	78





Hinges

Aluminium hinges

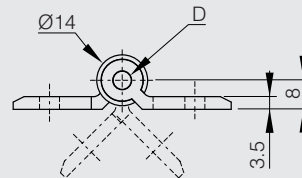
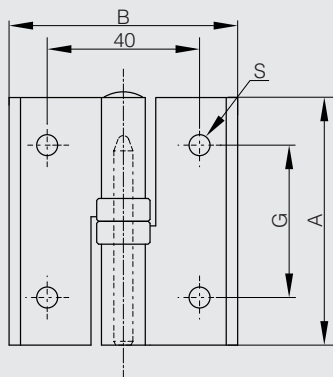
Clean room lift-off hinges - 65 x 60 mm

NEW!



No metal-to-metal contact. Polyacetal bushings minimize particles.
 Door size : max. W600 x L800.
 Door weight : max. 8 kg/pair.
 303 stainless steel pin.

Part number	Material	Finish	A	B	D	G	S	Note	Weight (g)
14-7-3877	aluminium	anodised	65	60	5	40	5.5	type 1 symmetric not shown	49
14-7-3878	aluminium	anodised	65	60	5	40	5.5	type 2 as shown below	49

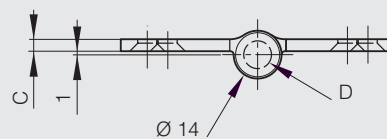
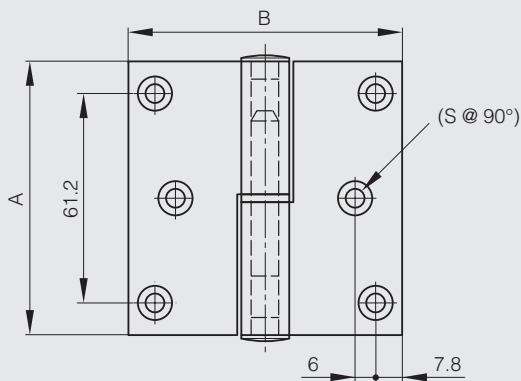


Aluminium lift-off hinges 80 x 80 mm

Zinc plated steel pin.
 Nylon bushing.



Part number	Material	Finish	A	B	C	D	S	Note	Weight (g)
14-7-3624	aluminium	anodised silver	80	80	3.5	8	5.5	type 1 symmetric not shown	85
14-7-3625	aluminium	anodised silver	80	80	3.5	8	5.5	type 2 as shown below	85





Hinges

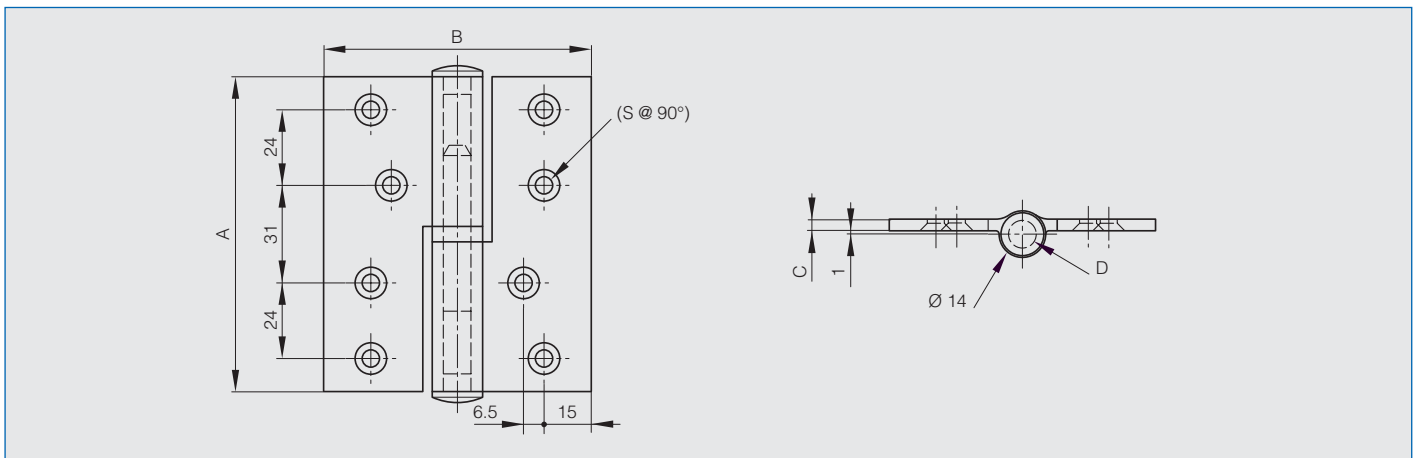
Aluminium hinges

Aluminium lift-off hinges 100 x 85 mm

Zinc plated steel pin.
Nylon bushing.



Part number	Material	Finish	A	B	C	D	S	Note	Weight (g)
14-7-3626	aluminium	anodised silver	100	85	3.5	9	5.5	type 1 symmetric not shown	99
14-7-3627	aluminium	anodised silver	100	85	3.5	9	5.5	type 2 as shown below	99



Aluminium lift-off hinges 100 x 100 mm

Zinc plated steel pin.
Nylon bushing.



Part number	Material	Finish	A	B	C	D	S	Note	Weight (g)
14-7-3628	aluminium	anodised silver	100	100	4	9	6	type 1 symmetric not shown	106
14-7-3629	aluminium	anodised silver	100	100	4	9	6	type 2 as shown below	106

