



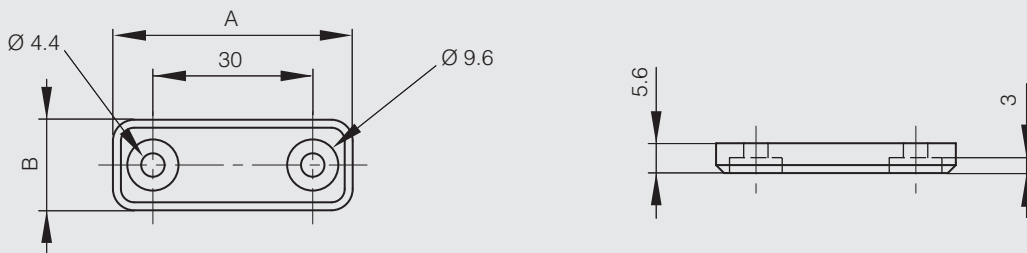
# Latching systems

## Magnetic catches

### Sealed compact magnetic catch

This reference is associated with counterplate 16-7-4205.

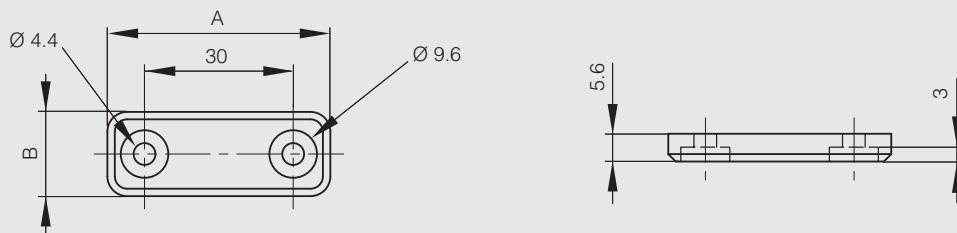
Part number	Material	Finish	A	B	Force	Weight (g)
16-7-4204	plastic	white	45	17	3kg	9



### Counterplate for sealed magnetic catch 16-7-4204

This counterplate has the same dimensions as the part listed above. It has a blue dot on the backside to differentiate it from the catch.

Part number	Material	Finish	A	B	Weight (g)
16-7-4205	plastic	white	45	17	9





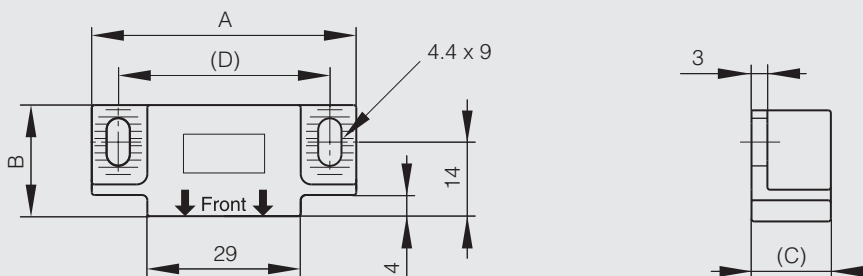
# Latching systems

## Magnetic catches

### Sealed magnetic catch

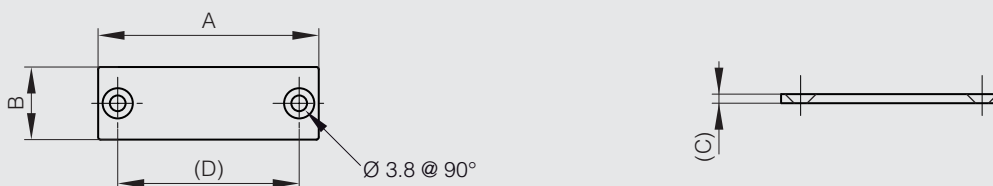
Strike sold separately.

Part number	Material	Finish	A	B	C	D	Force	Weight (g)
16-7-4081	plastic	white	50	21	13	40	3kg	21
16-7-4206	plastic	black	50	21	13	40	3kg	21



### Counterplate for sealed magnetic catch 16-7-4081 and 16-7-4206

Part number	Material	Finish	A	B	C	D	Weight (g)
16-7-4082	316 stainless steel	raw	49	15	2	40	10





# Latching systems

## Magnetic catches

### Ultra thin compact magnetic catch

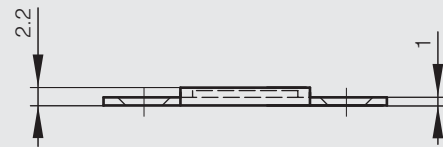
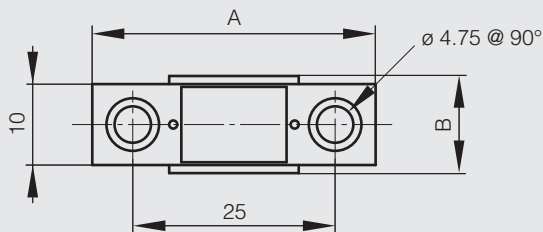
Suitable for temperatures below 80°C.

To avoid breakage, counterplate should not connect with magnet.

Screw heads should not protrude above the base plate.



Part number	Material	Finish	A	B	Force	Weight (g)
16-7-4033	steel	nickel plated	35	12	2.7kg	4



### Compact magnetic catch

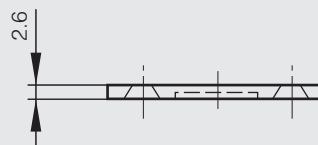
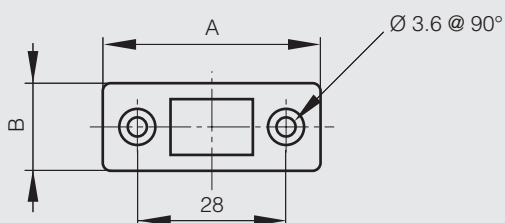
Suitable for temperatures below 80°C.

To avoid breakage, counterplate should not connect with magnet.

Screw heads should not protrude above the base plate.



Part number	Material	Finish	A	B	Force	Weight (g)
16-7-4207	steel	nickel plated	41	16.5	4kg	12





# Latching systems

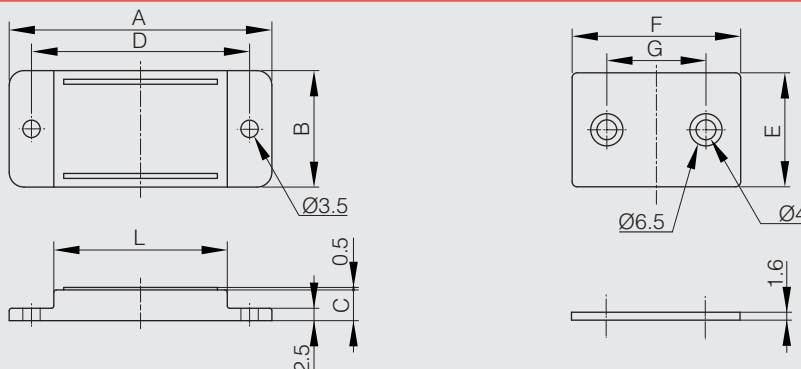
## Magnetic catches

### Low profile magnetic catch

**NEW!**



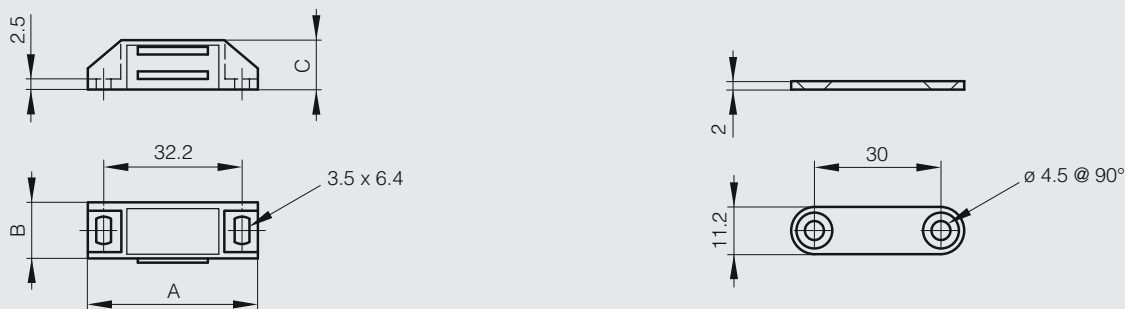
Part number	Material	Finish	A	B	C	D	E	F	G	L	Force	Weight (g)
16-7-4254	ABS	black	43	17	6	34	17	24	13	25	1kg	14
16-7-4255	ABS	black	53	23.5	6.2	44	23	34	20	35	3kg	32
16-7-4256	ABS	black	64	24.5	7	55	24	45	30	46	5kg	48



### Screw-on magnetic catch with counterplate - force 3 kg



Part number	Material	Finish	A	B	C	Force	Weight (g)
16-7-3492	plastic	white	39.8	13.7	11.7	2 à 3kg	16.5



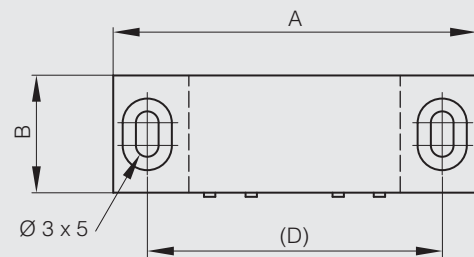
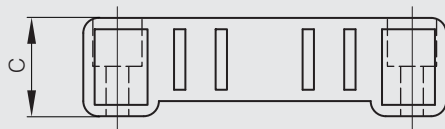


# Latching systems

## Magnetic catches

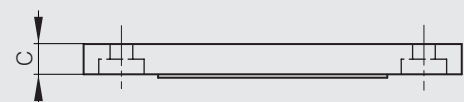
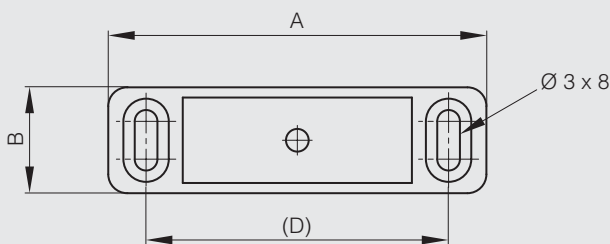
### Screw-on magnetic catches without counterplate - force 4 kg A

Part number	Material	Finish	A	B	C	D	Force	Weight (g)
16-7-3372	plastic	white	48.5	16.5	13	39	4kg	18



### Counterplates for magnetic catch 16-7-3372

Part number	Material	Finish	A	B	C	D	Note	Weight (g)
16-7-3648	plastic	white	50.5	14	4.5	40	for part number 16-7-3372	6





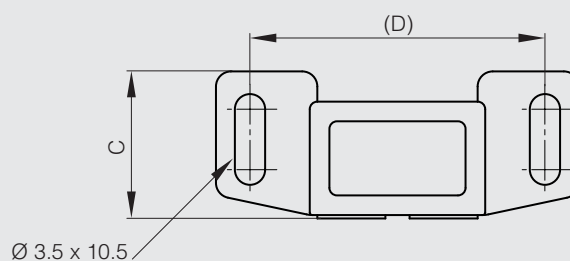
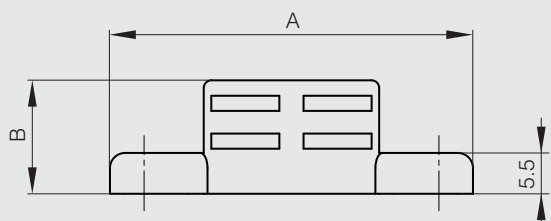
# Latching systems

## Magnetic catches

### Screw-on magnetic catch without counterplate - force 4 kg B



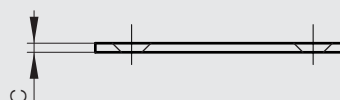
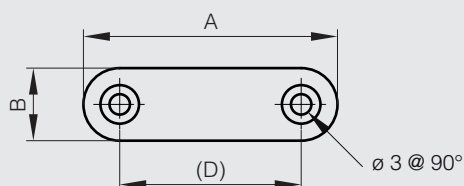
Part number	Material	Finish	A	B	C	D	Force	Weight (g)
16-7-3390	plastic	white	48	15	19.2	38	4kg	13



### Counterplate for magnetic catch 16-7-3390



Part number	Material	Finish	A	B	C	D	Weight (g)
16-7-3351	steel	zinc plated	41	14	1.5	31	6





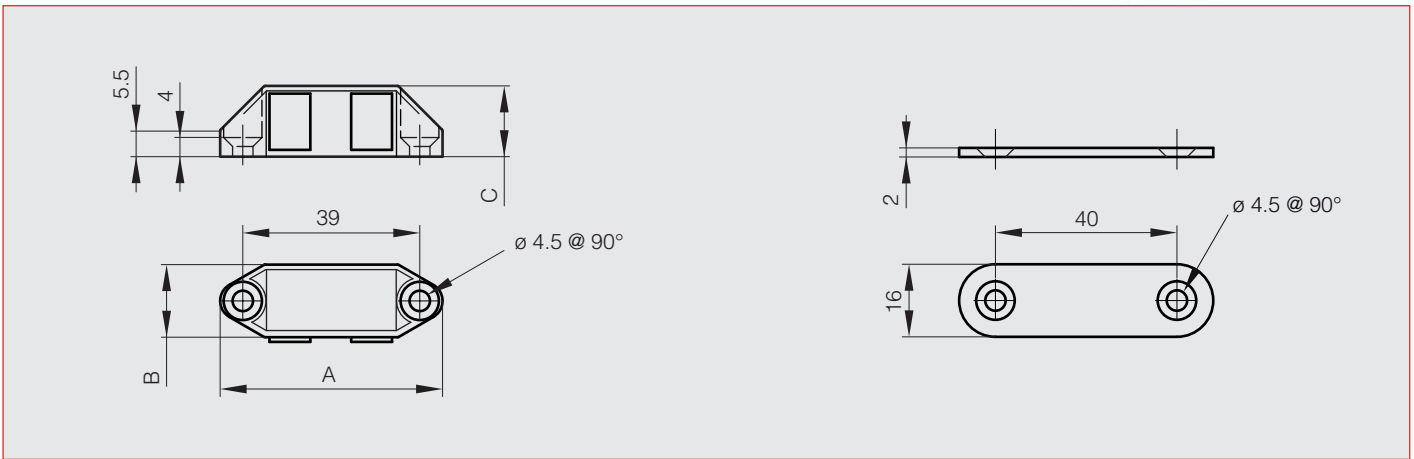
# Latching systems

## Magnetic catches

### Screw-on magnetic catches with counterplate - force 4 kg - high temperature resistance



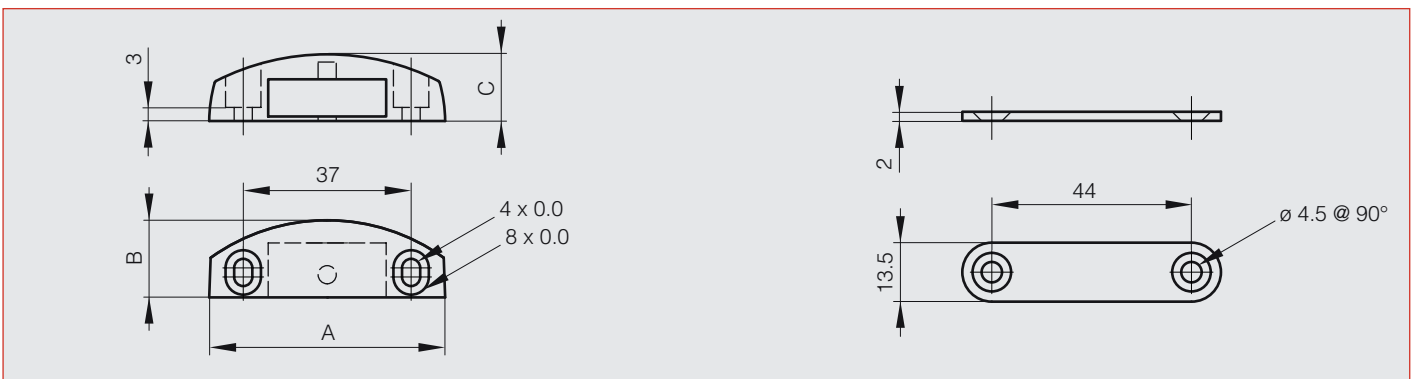
Part number	Material	Finish	A	B	C	Force	Note	Weight (g)
16-7-3494	zinc die-cast	nickel plated	49.4	16.4	15.6	4kg	temperature up to 80°C	56
16-7-3610	zinc die-cast	nickel plated	49.4	16.4	15.6	4kg	temperature up to 300°C	56



### Screw-on magnetic catch with counterplate - force 4 kg



Part number	Material	Finish	A	B	C	Force	Weight (g)
16-7-3483	zinc die-cast	nickel plated	54	16	15	4kg	49





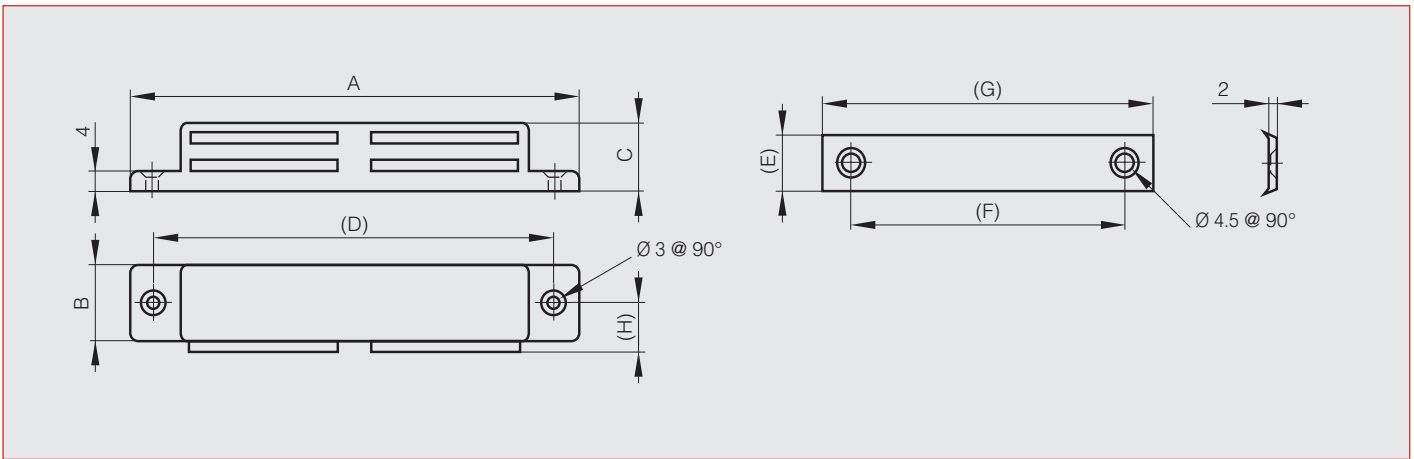
# Latching systems

## Magnetic catches

### Screw-on magnetic catches with counterplate - force 4.8 to 5.6 kg

430 stainless steel magnet.

Part number	Material	Finish	A	B	C	D	E	F	G	H	Force	Weight (g)
16-7-3861	plastic	white	86	13	15	77	12	57	70	9.2	4.8kg	100
16-7-3862	plastic	white	105.3	16	18	94	14	65	79	11.4	5.6kg	100

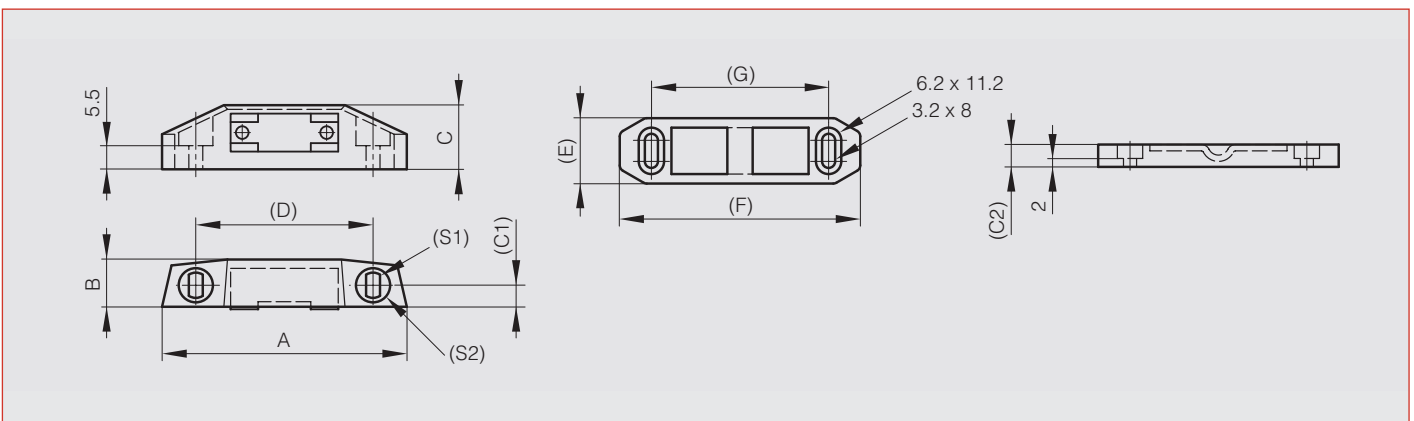


### Screw-on magnetic catches with counterplate - force 3 to 6 kg

Forces valid with the related counterplate.



Part number	Material	Finish	A	B	C	C1	C2	D	E	F	G	S1	S2	Force	Weight (g)
16-7-3487	plastic	white	58	12	15.2	5	5	42	15.5	57	42	3.2x6	8.1	4kg	31
16-7-3488	plastic	white	62.1	12.6	15.2	6	5.5	45	16.4	62	44.7	3.2x6	8.1	6kg	41







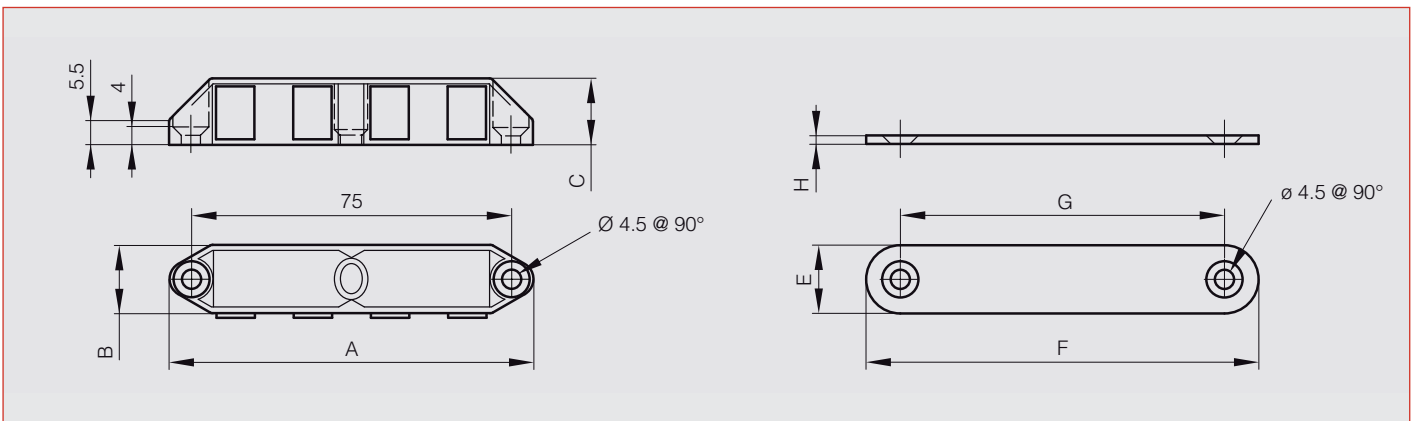
# Latching systems

## Magnetic catches

### Screw-on magnetic catches with counterplate - force 8 kg - high temperature resistance



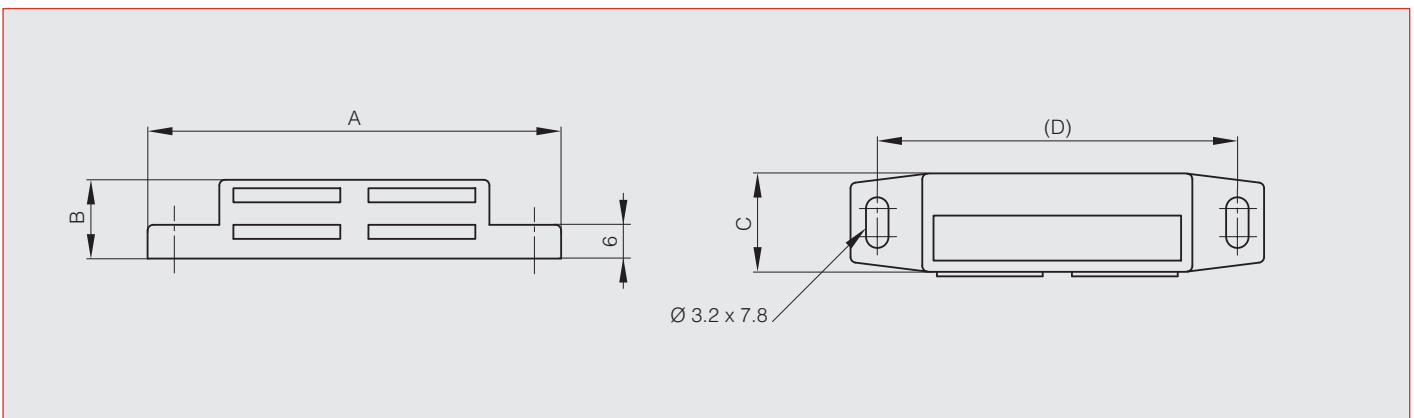
Part number	Material	Finish	A	B	C	E	F	G	H	Force	Note	Weight (g)
16-7-3391	zinc die-cast	nickel plated	85	16.4	15	16	92	76	2	8kg	temperature up to 80°C	112
16-7-3611	zinc die-cast	nickel plated	85	16.4	15	13	95	82	2.5	8kg	temperature up to 300°C	112



### Screw-on magnetic catch without counterplate - force 12 kg



Part number	Material	Finish	A	B	C	D	Force	Weight (g)
16-7-3672	plastic	white	74	14	17.5	64	12kg	37





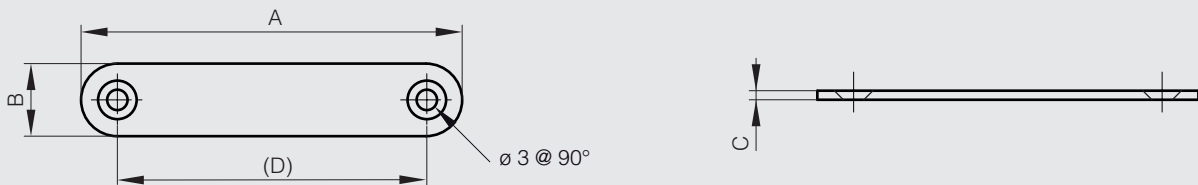
# Latching systems

## Magnetic catches

### Counterplate for magnetic catch 16-7-3672



Part number	Material	Finish	A	B	C	D	Weight (g)
16-7-3673	steel	zinc plated	66	12	2	54	11

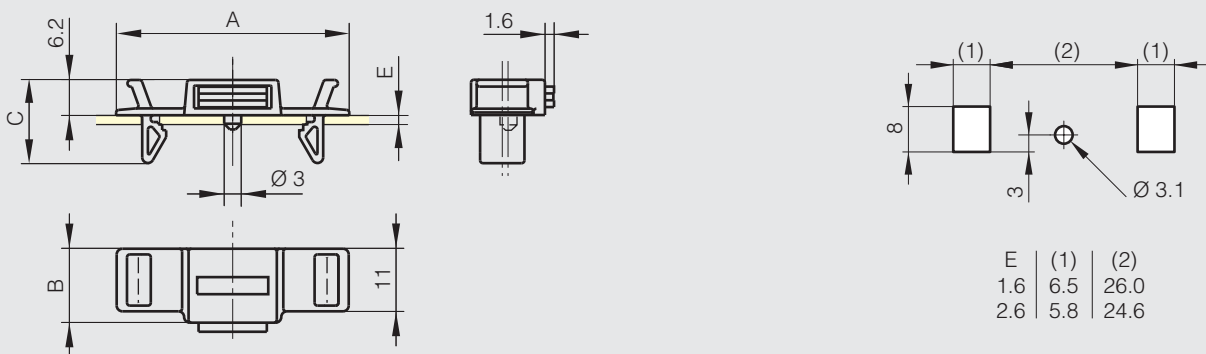


### Snap-in magnets without counterplate

Snap-in magnets for sheet metal applications. Suitable for material thicknesses 1.6 mm or 2.6 mm.  
E denotes material thickness.  
Cut-out varies to suit metal thickness.  
Flex-tab for easy removal.



Part number	Material	Finish	A	B	C	Force	Weight (g)
16-7-4208	plastic	black	41	13	14.6	1.2kg	5
16-7-4209	plastic	black	41	13	14.6	3kg	5.5





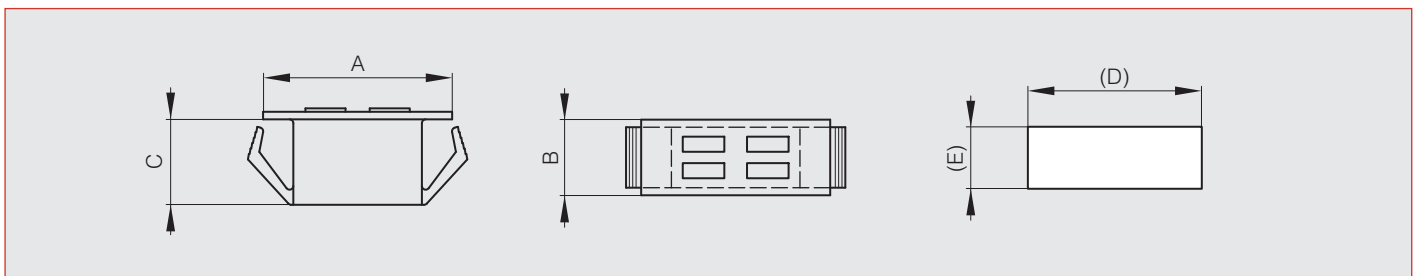
# Latching systems

## Magnetic catches

### Snap-in magnets



Part number	Material	Finish	A	B	C	D	E	Force	Note	Weight (g)
16-7-4013	polypropylene	white	25.5	12.3	10.4	23	11	1.5kg	for sheetmetal thickness 1.5mm	4
16-7-4014	polypropylene	white	25.5	9.6	11	23	8.2	1.8kg	for sheetmetal thickness 1.5mm	4
16-7-4015	polypropylene	white	39.5	10	11	35	8.2	4kg	for sheetmetal thickness 1.5mm	8
16-7-3674	polypropylene	black	54	12.5	14.5	51.5	10.8	15kg	for sheetmetal thickness 2.0mm	32

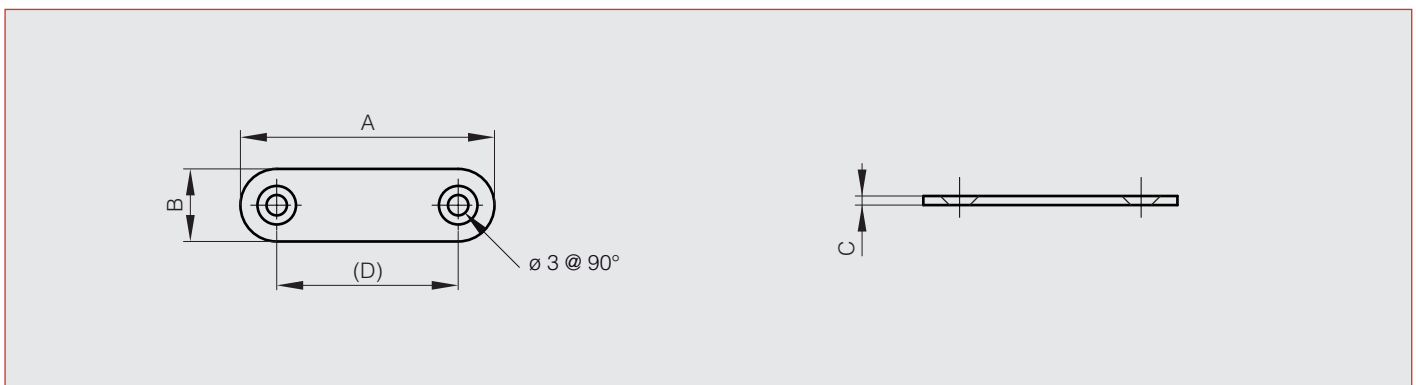


### Counterplates for snap-in magnets

Counterplates for part numbers 16-7-4013, 16-7-4014, 16-7-4015 and 16-7-3674.



Part number	Material	Finish	A	B	C	D	Note	Weight (g)
16-7-3351	steel	zinc plated	41	14	1.5	31	for part numbers 16-7-4013 and 16-7-4014	6
16-7-3673	steel	zinc plated	66	12	2	54	for part numbers 16-7-3674 and 16-7-4015	11





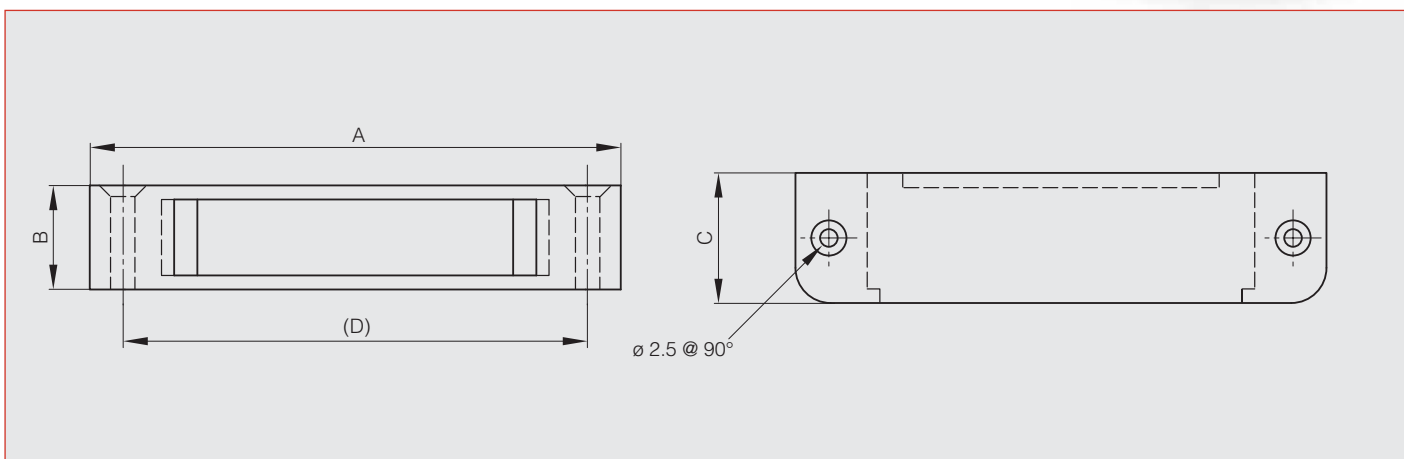
# Latching systems

## Magnetic catches

### Housing

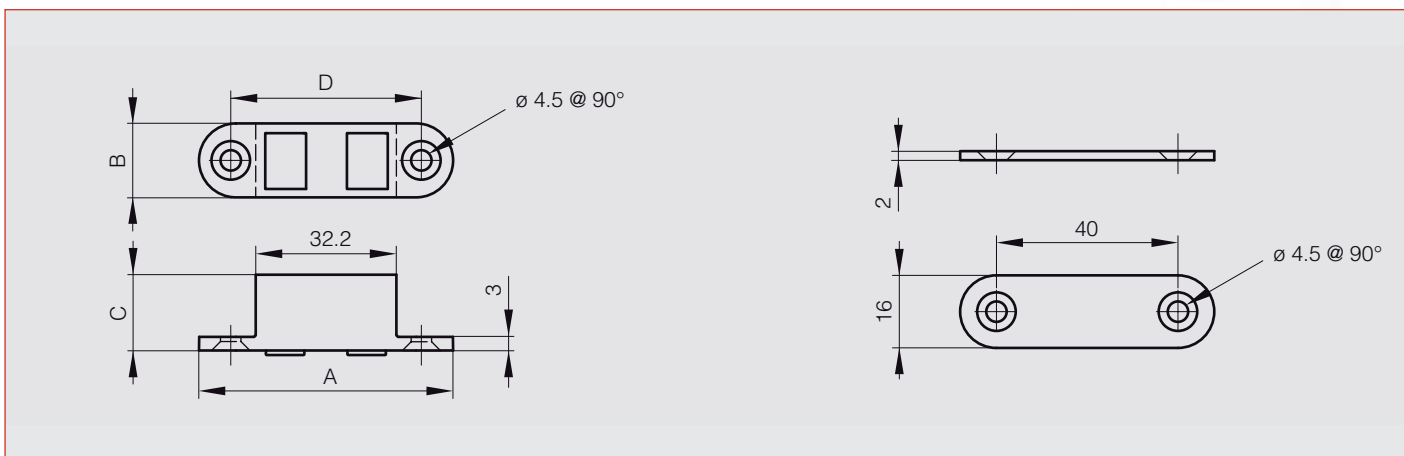
Housing for part number 16-7-3674.

Part number	Material	Finish	A	B	C	D	Weight (g)
16-7-3675	plastic	black	75.5	14.8	18.5	65	8



### Flush magnet with high temperature resistance - force 4 kg

Part number	Material	Finish	A	B	C	D	Force	Note	Weight (g)
16-7-3484	zinc die-cast	nickel plated	56	16.3	16.7	42	4kg	temperature up to 150°C	63.5





# Latching systems

## Magnetic catches

### Flush compact magnetic catch without counterplate - force 5 kg



Part number	Material	Finish	A	B	D	Force	Weight (g)
16-7-3387	steel	zinc plated	24	16	13.5	5kg	13

### Flush compact magnetic catch without counterplate - force 4.2 kg

fixing by plastic nut.



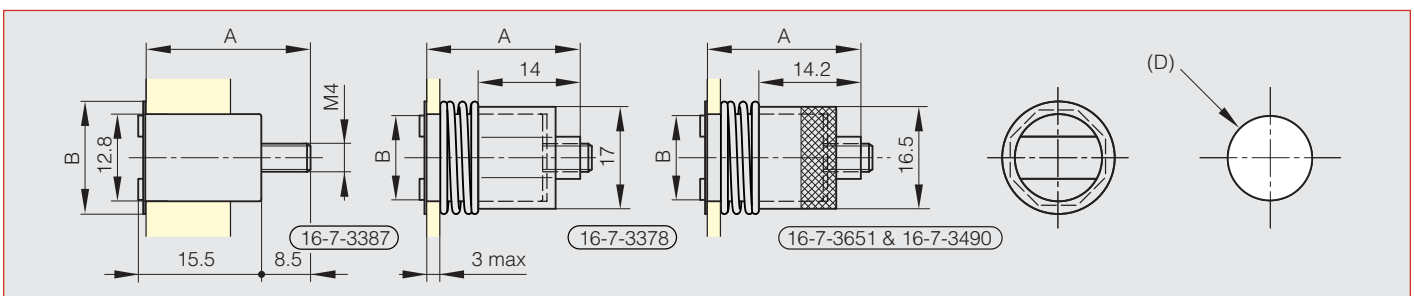
Part number	Material	Finish	A	B	D	Force	Weight (g)
16-7-3378	steel	zinc plated	24	12	13.5	4.2kg	14

### Flush compact catch without counterplate - high temperature resistance

Temperature resistance up to 250°C.



Part number	Material	Finish	A	B	D	Force	Weight (g)
16-7-3490	steel	zinc plated	26	12	13.5	4.2kg	17.5
16-7-3651	steel	zinc plated	29	16	17.5	8kg	40





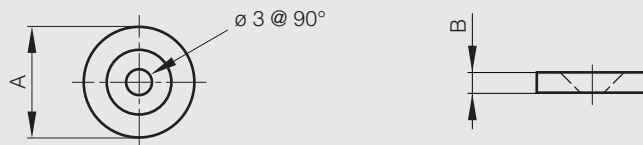
# Latching systems

## Magnetic catches

### Counterplate for part numbers 16-7-3378, 16-7-3387, 16-7-3490 and 16-7-3651



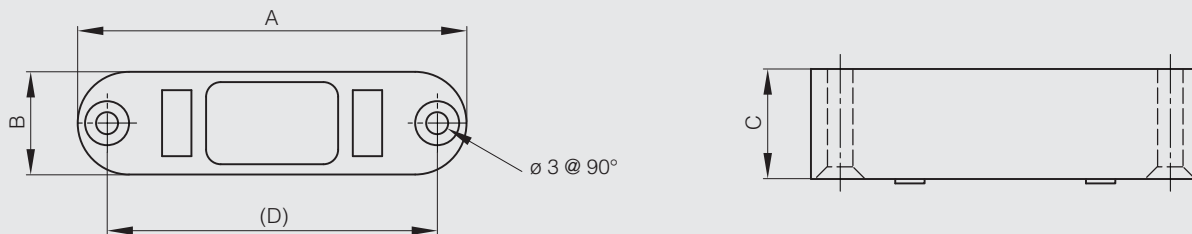
Part number	Material	Finish	A	B	Weight (g)
16-7-3349	steel	zinc plated	15.1	3	4



### Flush magnetic catch without counterplate - force 7 kg



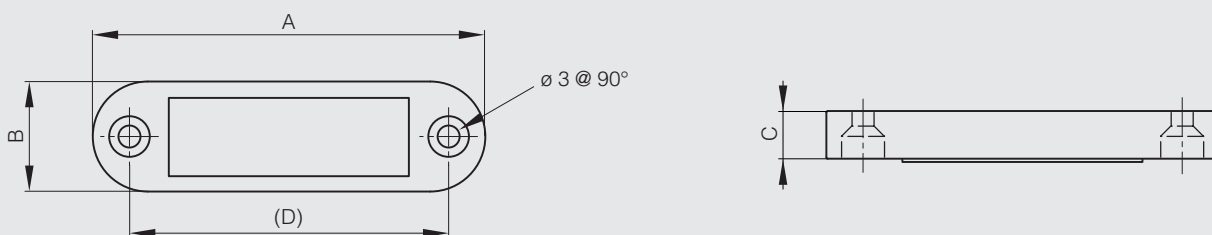
Part number	Material	Finish	A	B	C	D	Force	Weight (g)
16-7-3373	plastic	white	53	14.2	15.5	44	7kg	26



### Counterplate for part number 16-7-3373



Part number	Material	Finish	A	B	C	D	Weight (g)
16-7-3352	plastic	white	53.5	15	6.5	43.5	13





# Latching systems

## Magnetic catches

### Self-adhesive magnetic profile

Available in 30 meter rolls.  
Heat resistance : 100°C.



Part number	Material	Finish	B	C	Force	Weight (g)
16-7-3682	flexible magnet	self adhesive	19	1.5	55 g/cm <sup>2</sup>	3300

