



## Cranked hinges

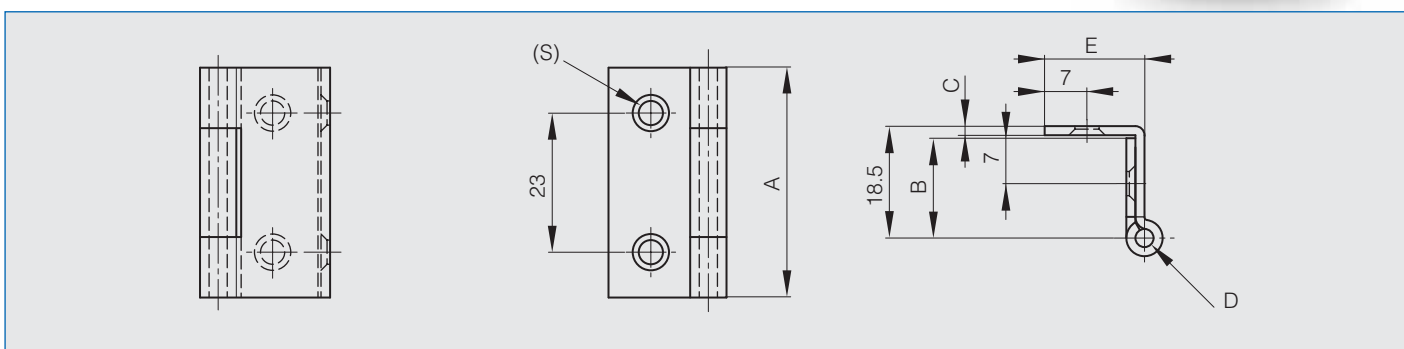
### Continuous cranked hinges

Please see «Continuous hinges»

### Small butt hinge with one cranked leaf 38 mm

430 stainless steel headed pin.

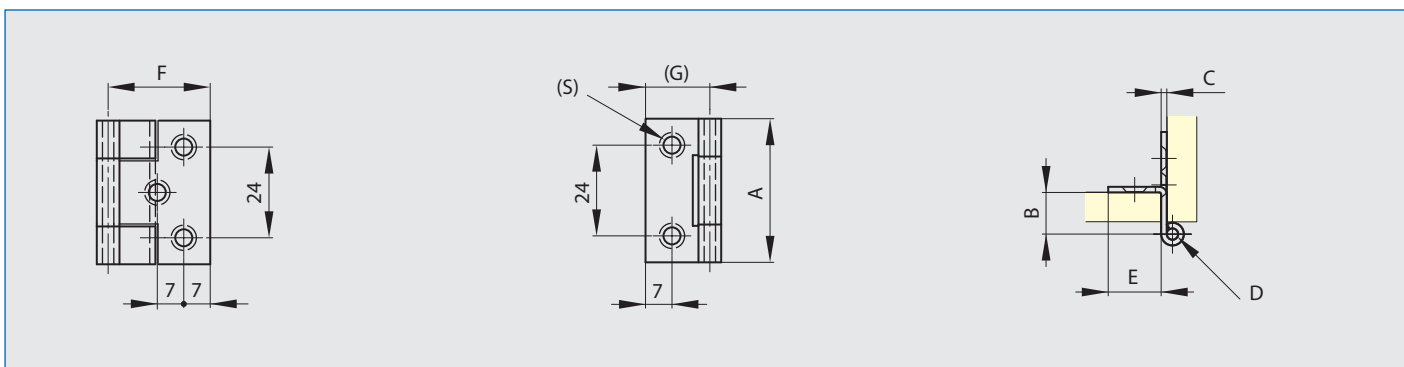
Part number	Material	Finish	A	B	C	D	E	S	Weight (g)
63-1-3301	brass	chrome plated	38	16.5	1.5	3	16.5	4	29



### Small butt hinges with one cranked leaf 38 mm



Part number	Material	Finish	A	B	C	D	E	F	G	S	Pin material	Weight (g)
60-1-3525	steel	chrome plated	38	7	1.5	3	18	27	21	4.5	430 stainless steel	24
60-1-3327	steel	chrome plated	38	11	1.5	3	14	27	17	4.5	430 stainless steel	24
60-1-3329	steel	nickel plated	38	11	1.5	3	14	27	17	4.5	430 stainless steel	24
60-1-3797	steel	black zinc plated	38	11	1.5	3	14	27	17	4.5	430 stainless steel	24
62-1-3628	316L stainless steel	raw	38	15	1.5	3	14	31	17	4.5	316L stainless steel	24





# Hinges

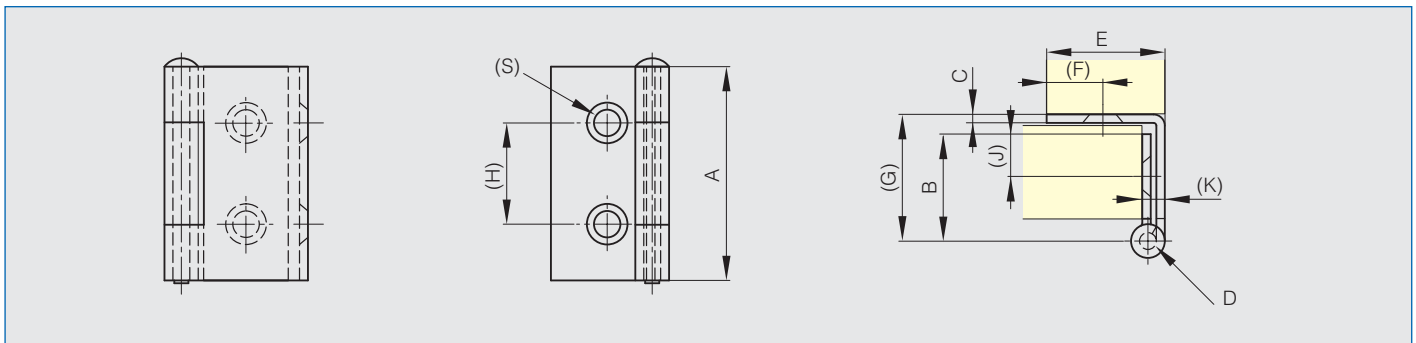
## Cranked hinges

### Small butt hinges with one cranked leaf and removable pin 38 mm

Removable pin.



Part number	Material	Finish	A	B	C	D	E	F	G	H	J	K	S	Pin material	Weight (g)
60-1-3331	steel	chrome plated	38	19	1.5	3	17	8	23	26	7	3.5	4	430 stainless steel	31
60-1-3332	steel	chrome plated	38	19	1.5	3	19	10	24.5	18	7.5	4	4.7	430 stainless steel	31
60-1-3330	steel	chrome plated	38	19	1.5	3	21	10	22.5	18	7.5	4	4.7	430 stainless steel	31
60-1-3342	steel	black cataphoresis	38	19	1.5	3	21	10	22.5	18	7.5	4	4.7	430 stainless steel	31

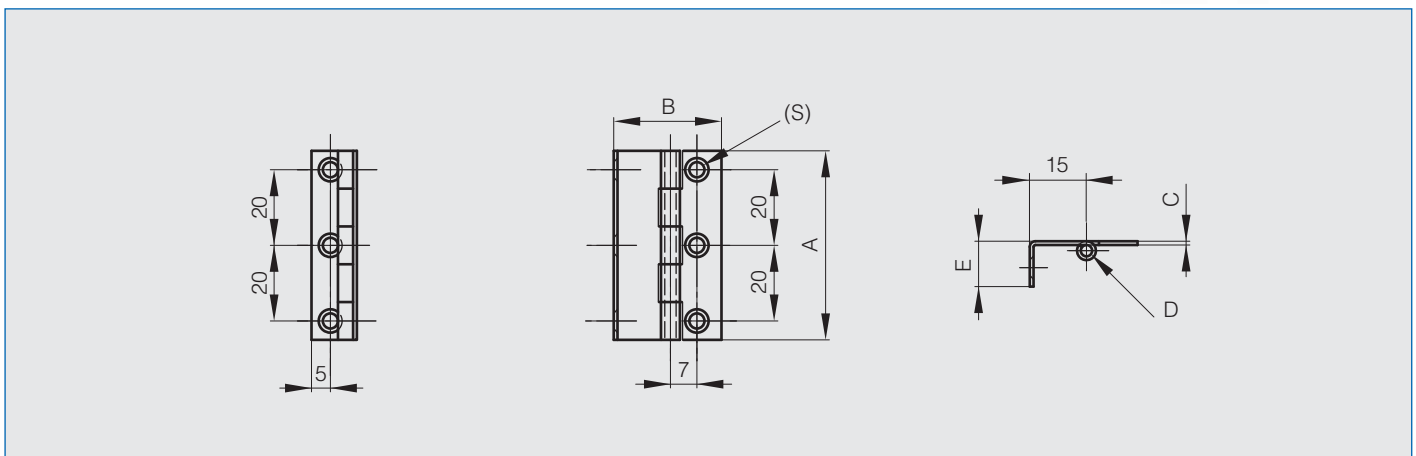


### Small butt hinge with one cranked leaf 50 mm

304 stainless steel pin.  
For door thickness max. 11mm.



Part number	Material	Finish	A	B	C	D	E	S	Weight (g)
62-1-3300	430 stainless steel	polished	50	28.5	1	3	12	4	20





# Hinges

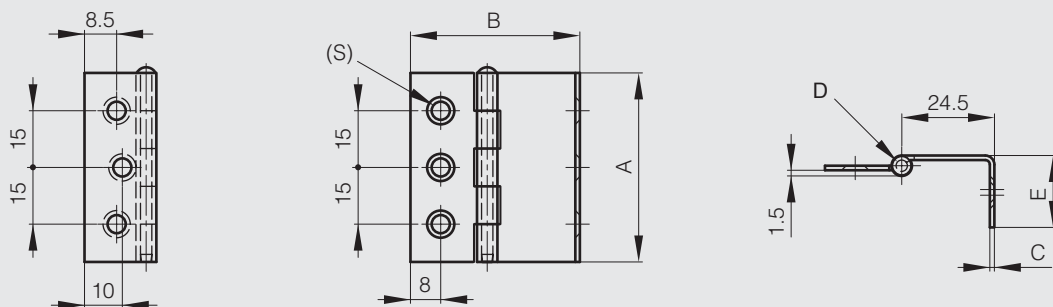
## Cranked hinges

### Small butt hinge with one cranked leaf and removable pin 50 mm

Removable pin.  
Door thickness : max. 20 mm.



Part number	Material	Finish	A	B	C	D	E	S	Weight (g)
62-1-3301	430 stainless steel	polished	50	44.8	1.2	3	19	4.8	33

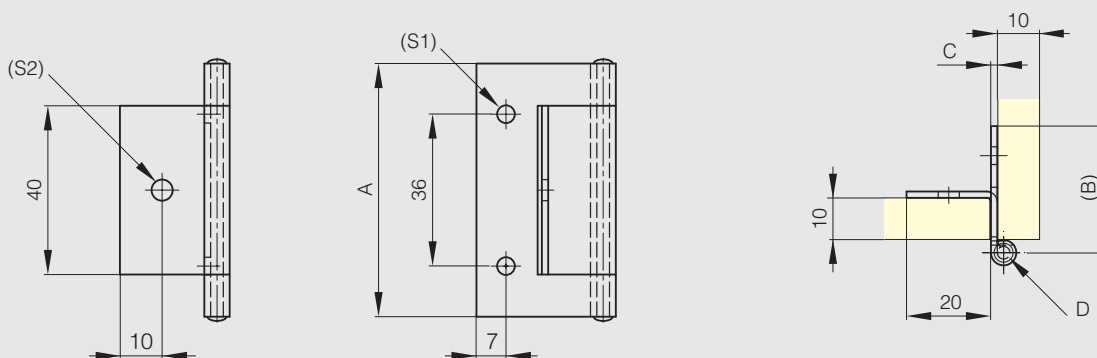


### Small butt hinge with one cranked leaf 60 mm

The same hinge is available with a spring (part number 71-1-3622).



Part number	Material	Finish	A	B	C	D	S1	S2	Weight (g)
62-1-3625	316L stainless steel	gloss	60	30	1.5	3	4.2	5	40





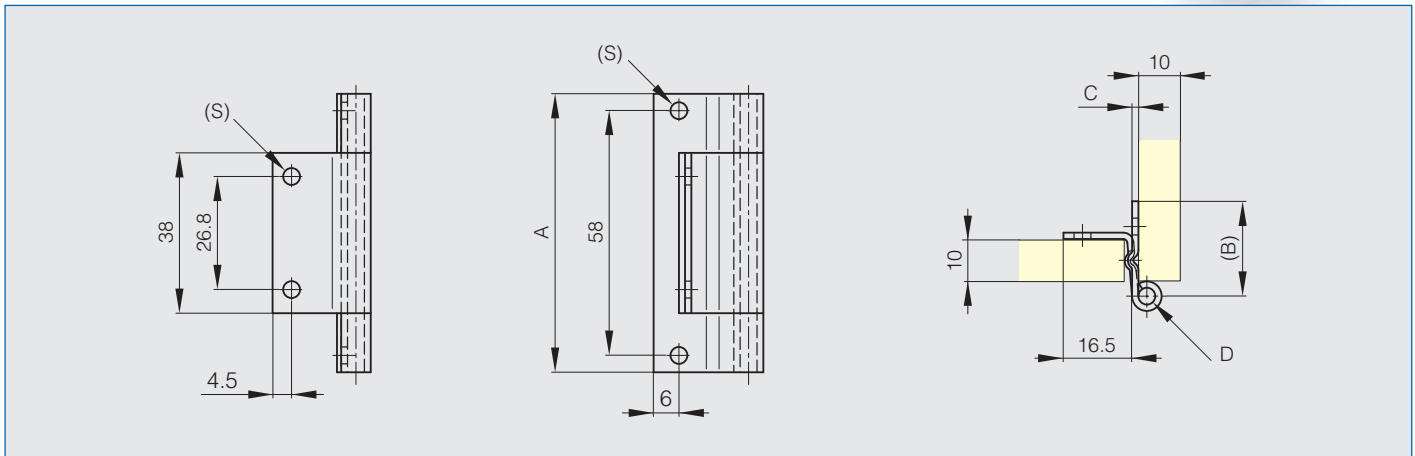
## Cranked hinges

### Small butt hinge with one cranked leaf 66 mm

The same hinge is available with a spring (part number 71-1-3649).  
Pin in 316 stainless steel.



Part number	Material	Finish	A	B	C	D	S	Weight (g)
62-1-3637	316 stainless steel	gloss	66	22.5	1.5	4	4	310

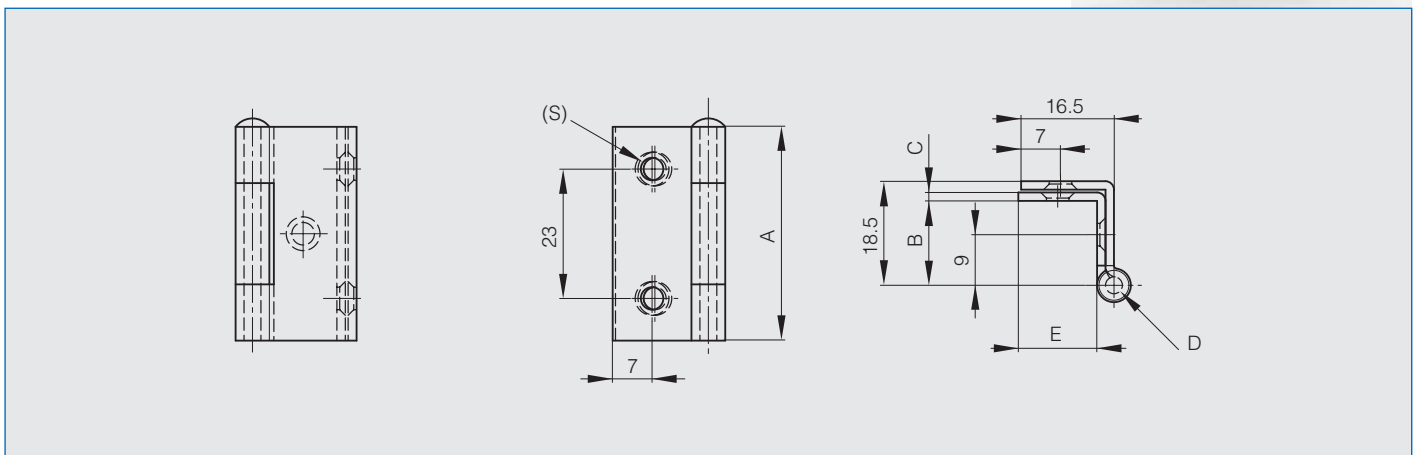


### Small butt hinge with two cranked leaves and removable pin 38 x 18.5 mm

304 stainless steel removable pin.



Part number	Material	Finish	A	B	C	D	E	S	Weight (g)
63-1-3300	brass	chrome plated	38	15	1.5	3	14	4	36





# Hinges

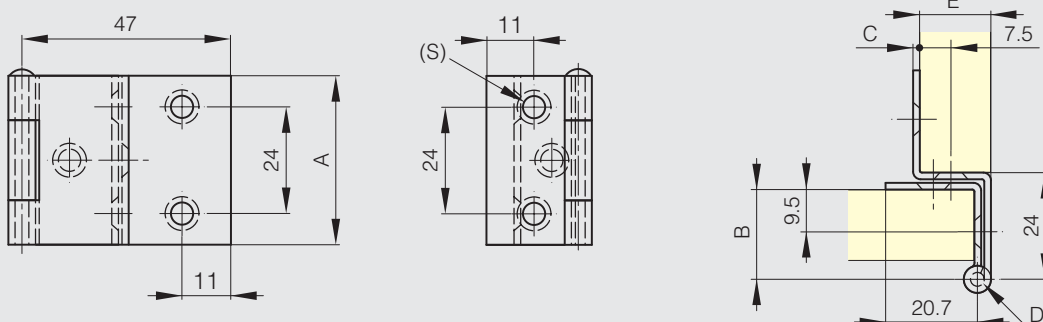
## Cranked hinges

### Small butt hinge with two cranked leaves and removable pin 38 x 47 mm

Removable pin in nickel plated steel.



Part number	Material	Finish	A	B	C	D	E	S	Weight (g)
60-1-3555	steel	chrome plated	38	20.2	1.5	3	16	5	50

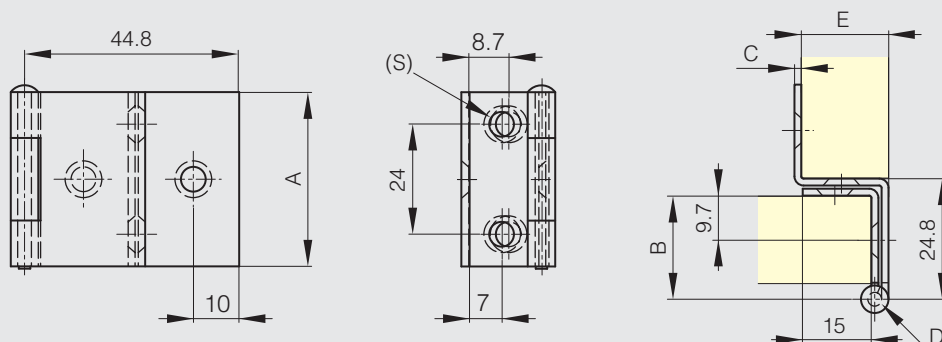


### Small butt hinges with two cranked leaves and removable pin 38 x 44.8 mm

Removable pin in nickel plated steel.



Part number	Material	Finish	A	B	C	D	E	S	Weight (g)
60-1-3523	steel	chrome plated	38	22.6	1.5	3	19	5.4	52
60-1-3796	steel	black cataphoresis	38	22.6	1.5	3	19	5.4	52





# Hinges

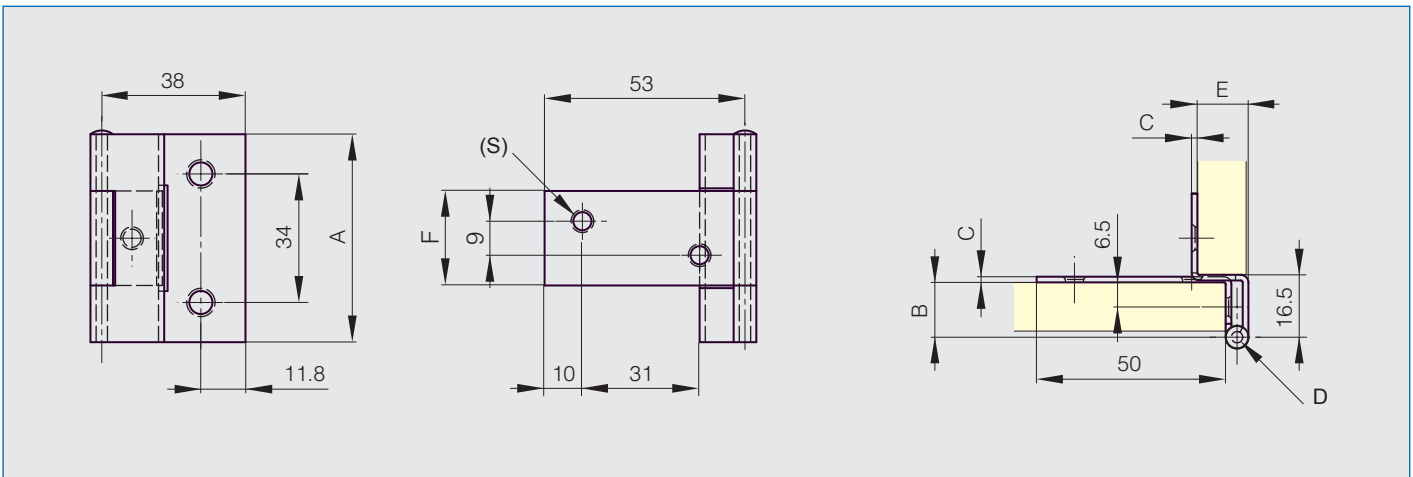
## Cranked hinges

### Small butt hinges with two cranked leaves and removable pin 55 x 38 mm

Removable pin.



Part number	Material	Finish	A	B	C	D	E	F	S	Pin material	Weight (g)
60-1-3323	steel	chrome plated	55	14.5	1.5	3	13.5	25	4	nickel plated steel	56
60-1-3325	steel	brass	55	14.5	1.5	3	13.5	25	4	brass plated steel	56



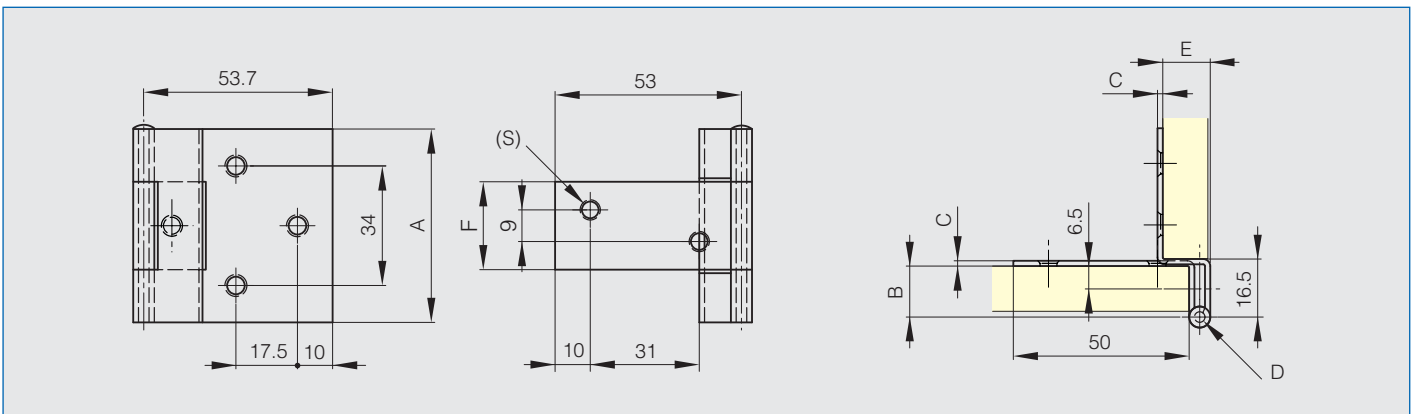
### Small butt hinges with two cranked leaves 55 x 53.7 mm

Removable pin for part number 60-1-3303 and 60-1-3307.

Riveted pin for part number 60-1-3506.



Part number	Material	Finish	A	B	C	D	E	F	S	Pin material	Note	Weight (g)
60-1-3303	steel	chrome plated	55	14.5	1.5	3	13.5	25	4.75	nickel plated steel	removable pin	65
60-1-3307	steel	black cataphoresis	55	14.5	1.5	3	13.5	25	4.75	zinc plated steel	removable pin	65
60-1-3506	steel	chrome plated	55	14.5	1.5	3	13.5	25	4.75	304 stainless steel	riveted pin	65





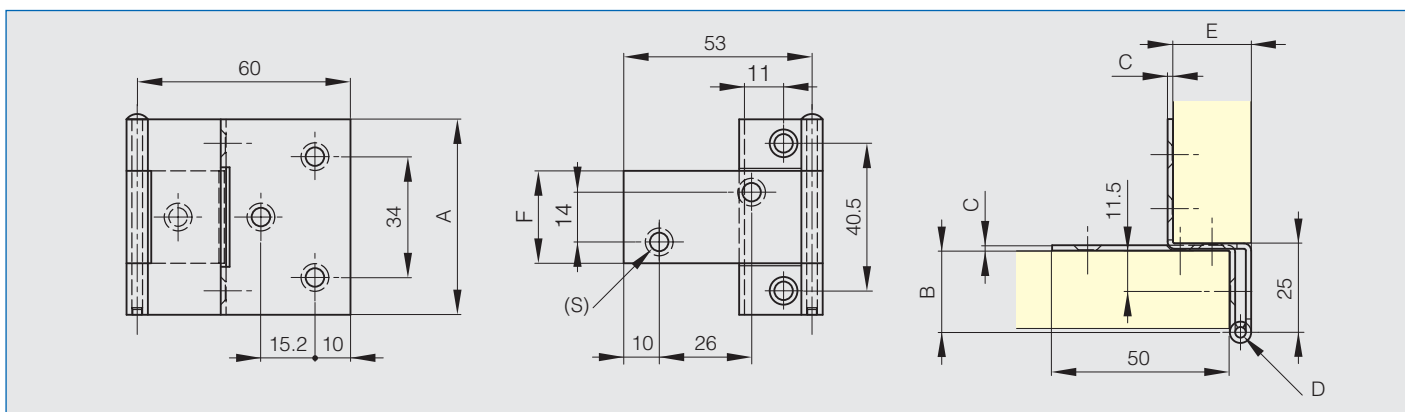
## Cranked hinges

### Small butt hinges with two cranked leaves and removable pin 55 x 60 mm

Removable pin.



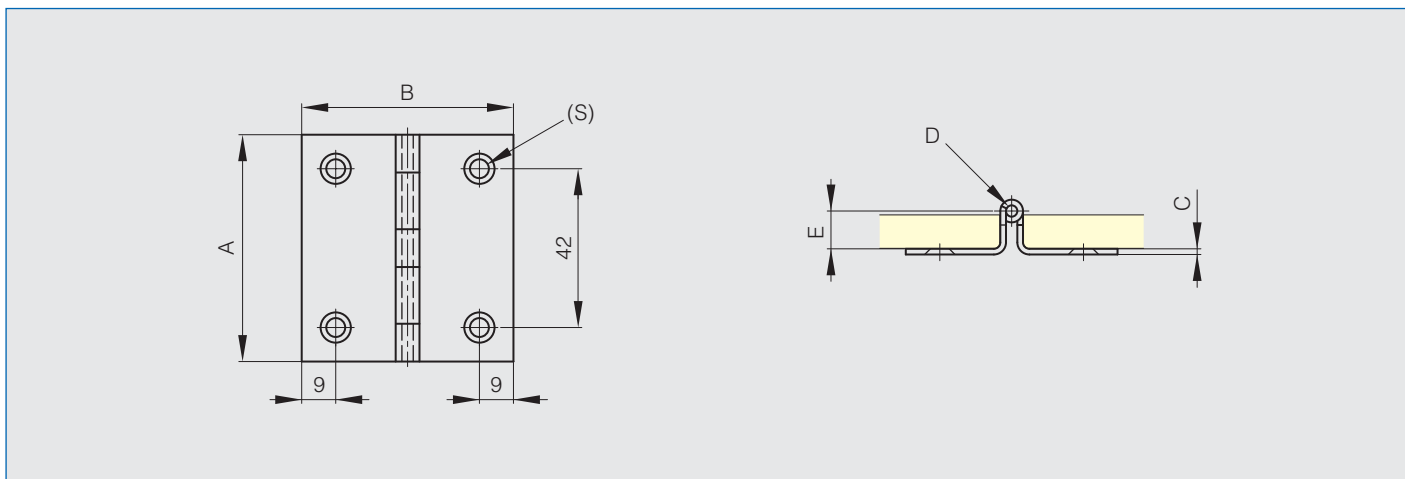
Part number	Material	Finish	A	B	C	D	E	F	S	Pin material	Weight (g)
60-1-3536	steel	chrome plated	55	23	1.5	3	22	25	5.2	nickel plated steel	75
60-1-3539	steel	black cataphoresis	55	23	1.5	3	22	25	5.2	zinc plated steel	75



### Small butt hinges with two cranked leaves 60 mm



Part number	Material	Finish	A	B	C	D	E	S	Weight (g)
60-1-3620	steel	zinc plated	60	56	1.5	3	10	5	59

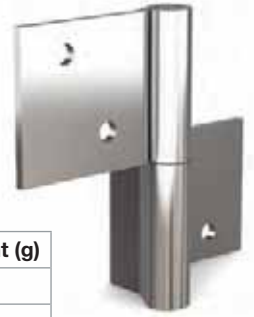




# Hinges

## Cranked hinges

### Pin hinge with one cranked leaf



Part number	Material	Finish	A	B	C	D	E	S	Note	Weight (g)
12-1-3682	304 stainless steel	raw	60	72	2	5	30	4	type 2 as shown below	70
12-1-3683	304 stainless steel	raw	60	72	2	5	30	4	type 1 symmetric not shown	70

