



## Plastic hinges

### Square design hinges with countersunk holes

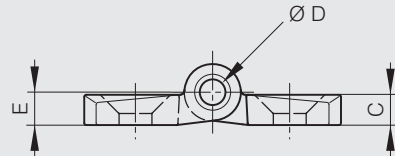
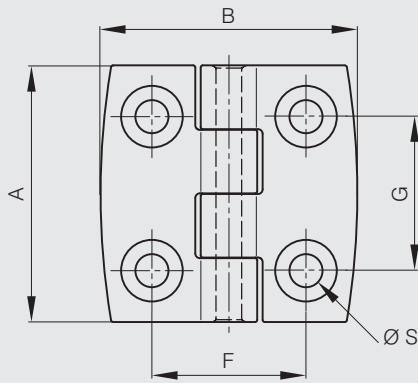
Hinges are made of 30% GF polyamide, pins are in 304 stainless steel.

UL 94 V-0 classification : please contact us.

White color : please contact us.



Part number	Material	Finish	A	B	C	D	E	F	G	S	Weight (g)
54-1-3513	polyamide	black	30	30	3	3	3.5	18	18	3.2	6
54-1-3514	polyamide	black	40	40	5.2	4	5.7	25	25	5.3	12
54-1-3516	polyamide	black	50	50	5.9	5	6.4	30	30	6.4	22
54-1-3518	polyamide	black	60	60	6.5	6	7	36	36	6.4	32



### Square design hinges with studs

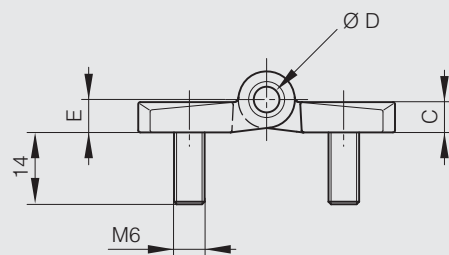
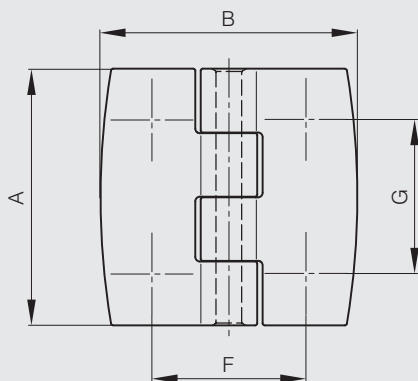
Hinges are made of 30% GF polyamide, pins are in 304 stainless steel.

UL 94 V-0 classification : please contact us.

White color : please contact us.



Part number	Material	Finish	A	B	C	D	E	F	G	Weight (g)
54-1-3519	polyamide	black	60	60	6.5	6	7	36	36	54





## Plastic hinges

### Symmetrical design hinges

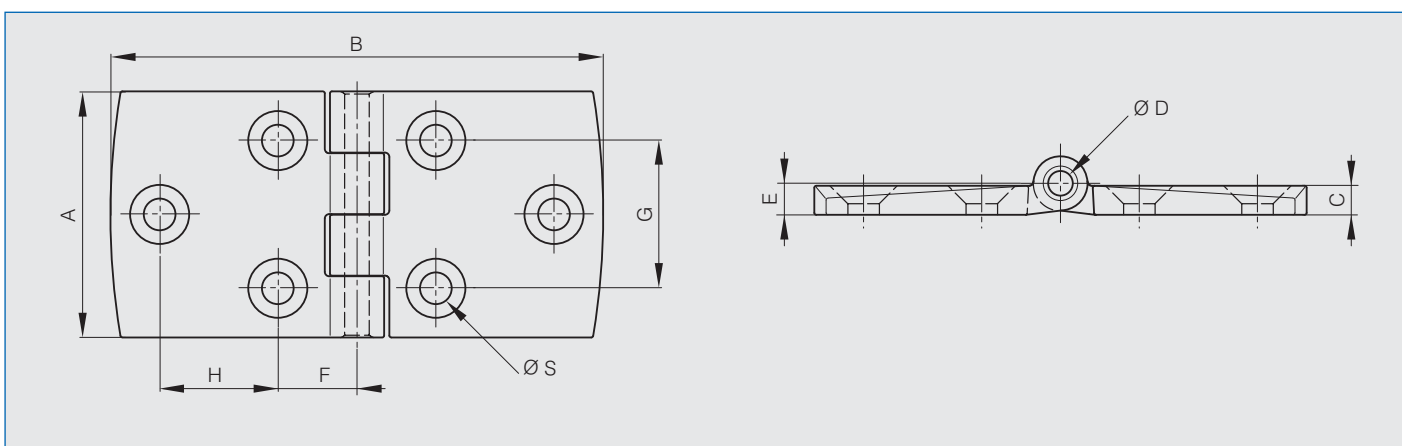
Hinges are made of 30% GF polyamide, pins are in 304 stainless steel.

UL 94 V-0 classification : please contact us.

White color : please contact us.



Part number	Material	Finish	A	B	C	D	E	F	G	H	S	Weight (g)
54-1-3520	polyamide	black	40	80	5.2	4	5.7	13.5	25	19	5.3	20
54-1-3522	polyamide	black	40	120	5.2	4	5.7	14.5	25	38	5.3	25
54-1-3540	polyamide	black	50	100	5.9	5	6.4	16	30	24	6.4	34
54-1-3524	polyamide	black	60	120	6.5	6	7	18	36	30	6.4	34



### Asymmetrical design hinges

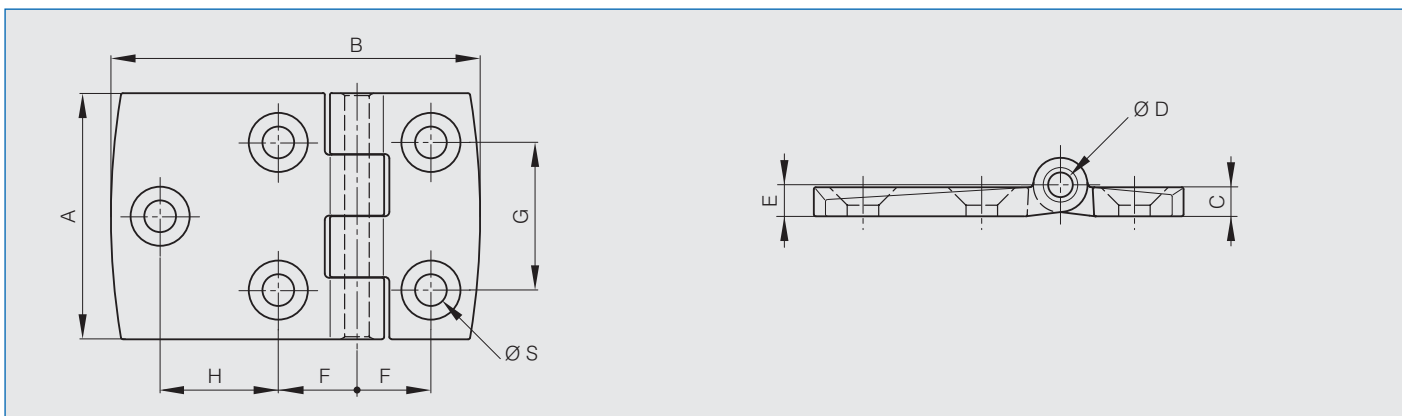
Hinges are made of 30% GF polyamide, pins are in 304 stainless steel.

UL 94 V-0 classification : please contact us.

White color : please contact us.



Part number	Material	Finish	A	B	C	D	E	F	G	H	S	Weight (g)
54-1-3528	polyamide	black	40	60	5.2	4	5.7	13	25	19	5.3	16
54-1-3536	polyamide	black	40	80	5.2	4	5.7	13.5	25	38	5.3	18
54-1-3538	polyamide	black	50	75	5.9	5	6.4	15.5	30	24	6.4	28
54-1-3532	polyamide	black	60	90	6.5	6	7	18	36	30	6.4	40





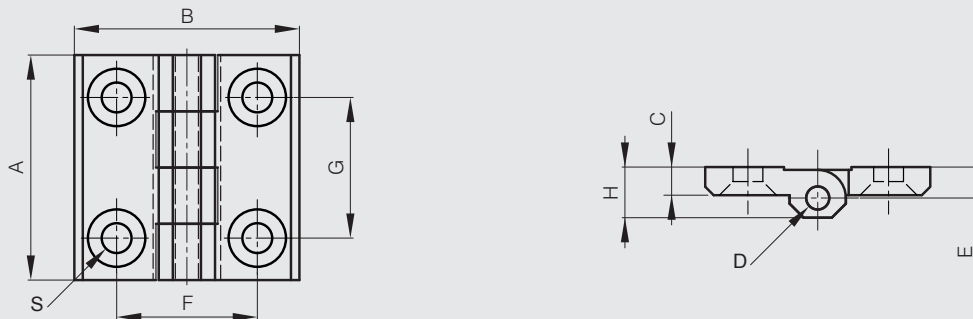
## Plastic hinges

### Polyamide hinges with countersunk holes

Hinges are made of 30% GF polyamide, pins are in 304 stainless steel. A full product data sheet is available on our website.



Part number	Material	Finish	A	B	C	D	E	F	G	H	S	Weight (g)
54-1-3029	polyamide	black	40	40	5	4	5.5	25	25	9	5.3	13.5
54-1-3030	polyamide	black	50	50	6	6	6.5	30	30	11.5	6.4	28.5

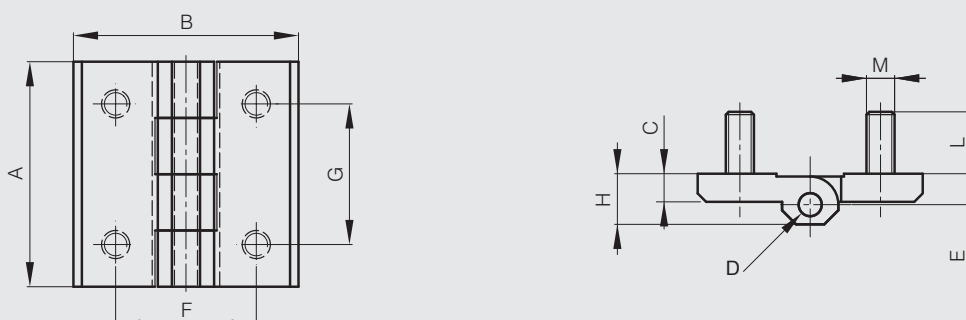


### Polyamide hinges with studs

Hinges are made of 30% GF polyamide, pins are in 304 stainless steel. A full product data sheet is available on our website.



Part number	Material	Finish	A	B	C	D	E	F	G	H	L	M	Weight (g)
54-1-3031	polyamide	black	40	40	5	4	5.5	25	25	9	11	M5	56
54-1-3032	polyamide	black	50	50	6	6	6.5	30	30	11.5	15	M6	76





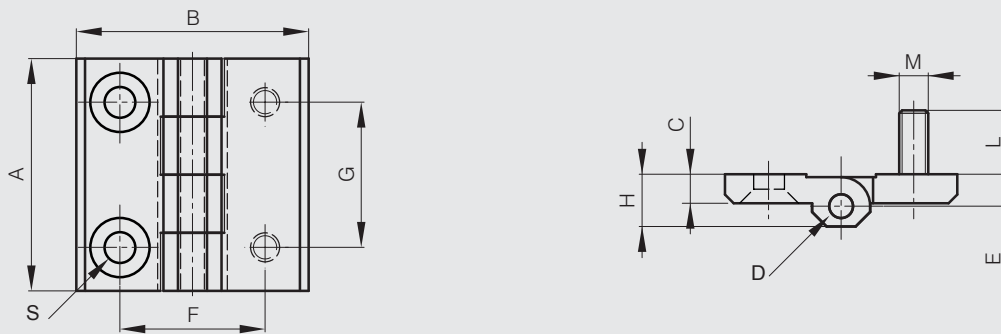
## Plastic hinges

### Polyamide hinges combined studs and holes

Hinges are made of 30% GF polyamide, pins are in 304 stainless steel. A full product data sheet is available on our website.



Part number	Material	Finish	A	B	C	D	E	F	G	H	L	M	S	Weight (g)
54-1-3033	polyamide	black	40	40	5	4	5.5	25	25	9	11	M5	5.3	50
54-1-3034	polyamide	black	50	50	6	6	6.5	30	30	11.5	15	M6	6.4	50



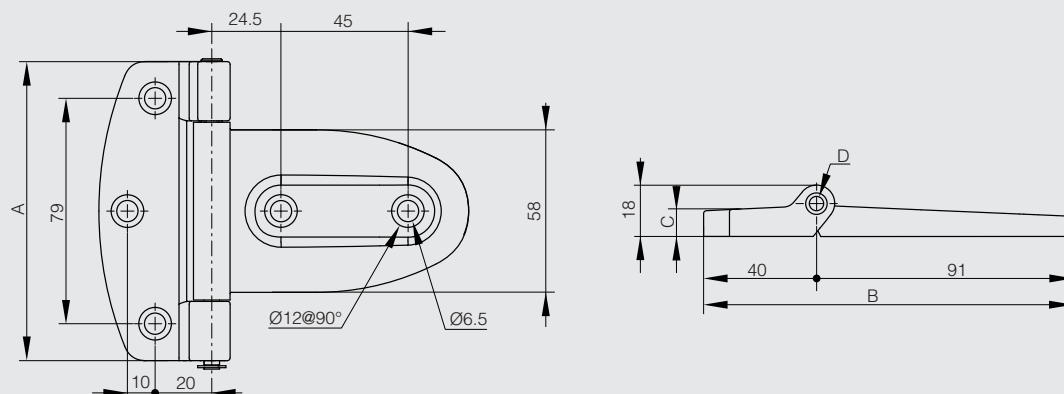
### Heavy duty plastic hinge - 180° opening

**NEW!**

Nickel plated steel pin. Max. 180° opening.



Part number	Material	Finish	A	B	C	D	Weight (g)
54-1-9000	polyamide	black	108	131	9.5	6	98





## Plastic hinges

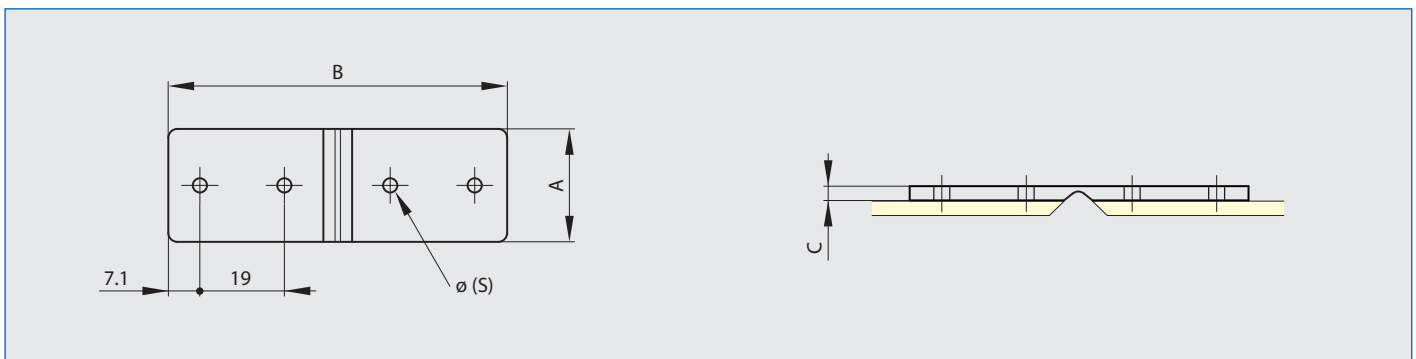
### Plastic hinges 25.4 mm long

Technical features :

- Temperatures: -40°C up to +80°C
- Can be fixed with: rivets, screws, nails or clamps.
- Chemical resistance: oil, solvents, sea water and most chemical agents.
- Tensile resistance: 180 N/cm
- Material offers excellent fatigue resistance.



Part number	Material	Finish	A	B	C	S	Weight (g)
54-7-3000	polypropylene	white	25.4	76.2	3.2	3.2	5
54-7-3002	polypropylene	black	25.4	76.2	3.2	3.2	5



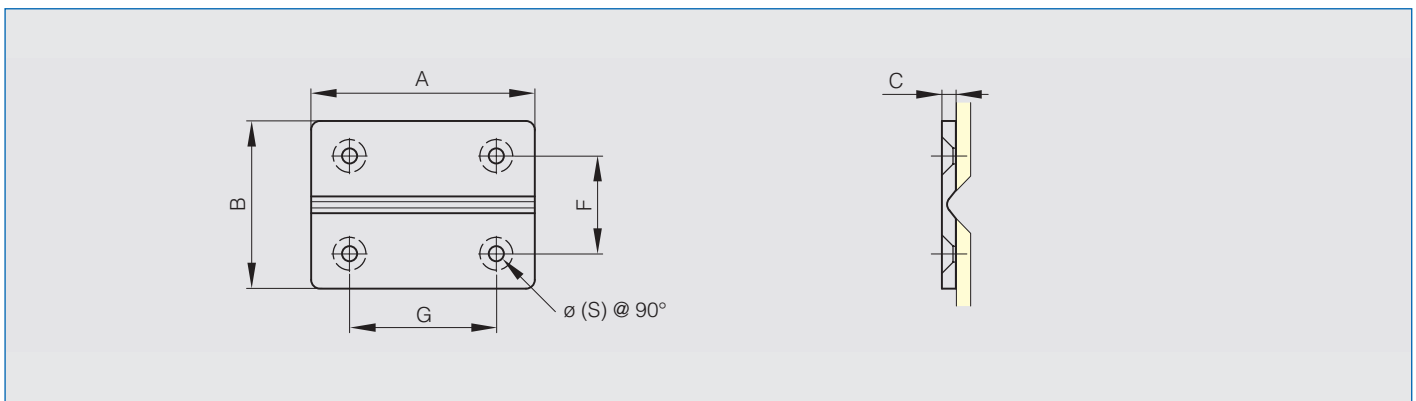
### Plastic hinges 38.1 mm and 50.8 mm long

Technical features :

- Temperatures: -40°C up to +80°C
- Can be fixed with: rivets, screws, nails or clamps.
- Chemical resistance: oil, solvents, sea water and most chemical agents.
- Tensile resistance: 180 N/cm
- Material offers excellent fatigue resistance.



Part number	Material	Finish	A	B	C	F	G	S	Weight (g)
54-7-3006	polypropylene	white	38.1	25.4	2	15.9	28.6	3.43	5
54-7-3008	polypropylene	black	38.1	25.4	2	15.9	28.6	3.43	5
54-7-3003	polypropylene	white	50.8	38.1	3.17	22.2	33.3	3.43	5
54-7-3005	polypropylene	black	50.8	38.1	3.17	22.2	33.3	3.43	5





## Plastic hinges

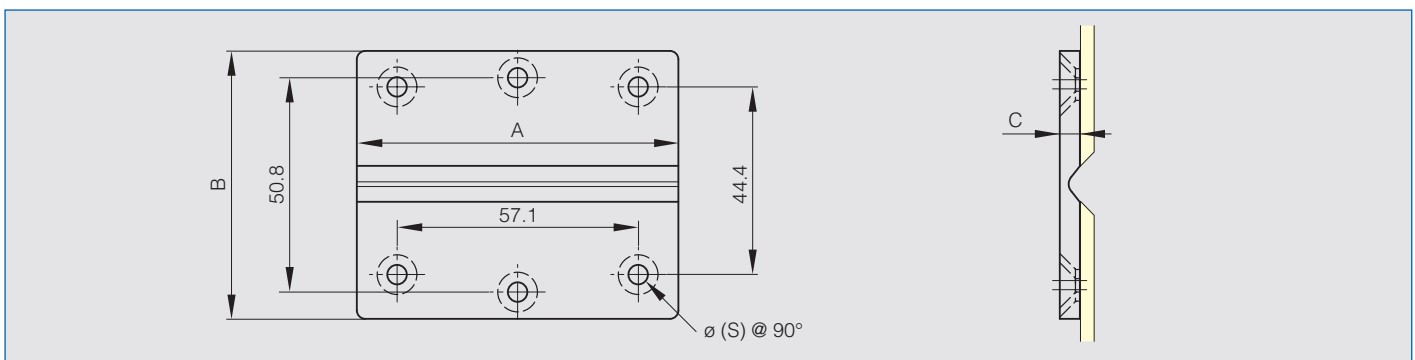
### Plastic hinges 76.2 mm long

Technical features :

- Temperatures: -40°C up to +80°C
- Can be fixed with: rivets, screws, nails or clamps.
- Chemical resistance: oil, solvents, sea water and most chemical agents.
- Tensile resistance: 180 N/cm
- Material offers excellent fatigue resistance.



Part number	Material	Finish	A	B	C	S	Weight (g)
54-7-3009	polypropylene	white	76.2	63.5	4.76	4.62	16
54-7-3011	polypropylene	black	76.2	63.5	4.76	4.62	16



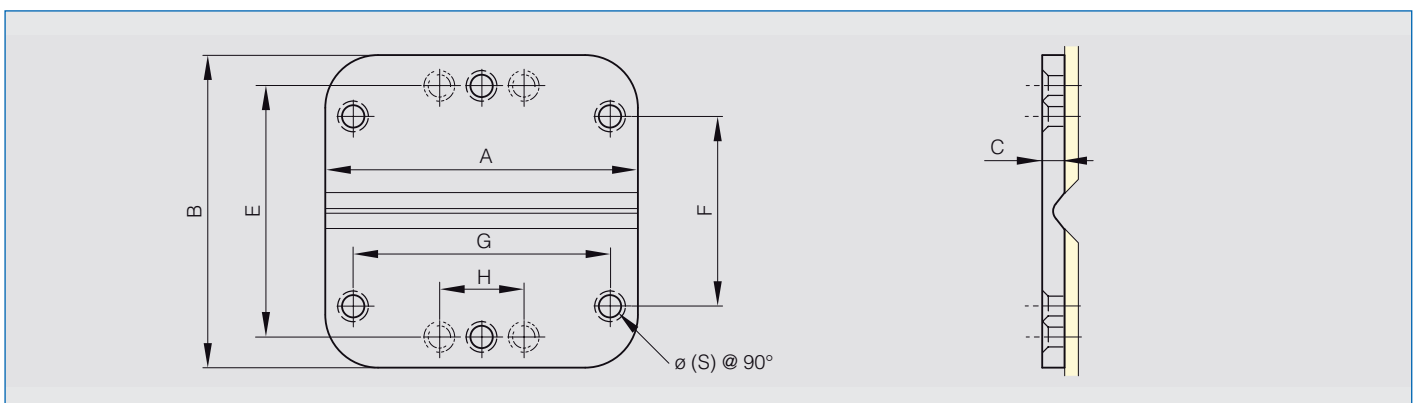
### Plastic hinges 88.9 mm and 101.6 mm long

Technical features :

- Temperatures: -40°C up to +80°C
- Can be fixed with: rivets, screws, nails or clamps.
- Chemical resistance: oil, solvents, sea water and most chemical agents.
- Tensile resistance: 180 N/cm
- Material offers excellent fatigue resistance.



Part number	Material	Finish	A	B	C	E	F	G	H	S	Weight (g)
54-7-3012	polypropylene	white	88.9	88.9	6.35	71.4	54	73		6	35
54-7-3014	polypropylene	black	88.9	88.9	6.35	71.4	54	73		6	35
54-7-3015	polypropylene	white	101.6	101.6	6.35	79.4	54	83.4	27.8	8	50
54-7-3017	polypropylene	black	101.6	101.6	6.35	79.4	54	83.4	27.8	8	50

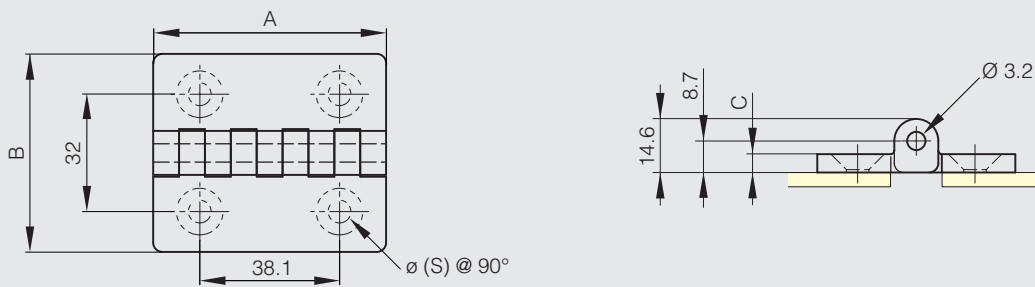




## Plastic hinges

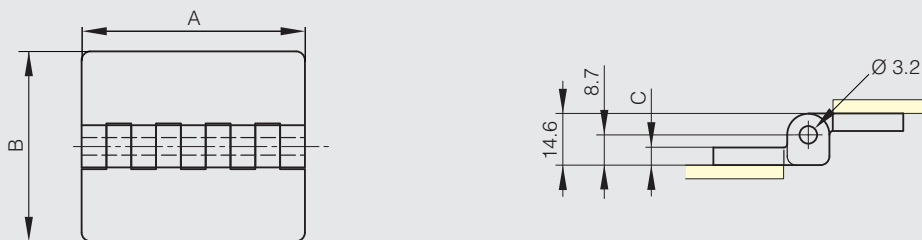
### Plastic hinges 63.5 mm long

Part number	Material	Finish	A	B	C	S	Note	Weight (g)
54-7-3018	polypropylene	white	63.5	54	5		undrilled	20
54-7-3019	polypropylene	black	63.5	54	5		undrilled	20
54-7-3022	polycarbonate	transparent	63.5	54	5		undrilled	20
54-7-3028	polyethylene	natural	63.5	54	5	6.2	drilled	20



### Plastic hinges 63.5 mm long with reversed leaves

Part number	Material	Finish	A	B	C	Weight (g)
54-7-3023	polypropylene	white	63.5	54	5	20
54-7-3024	polypropylene	black	63.5	54	5	20
54-7-3027	polycarbonate	transparent	63.5	54	5	20



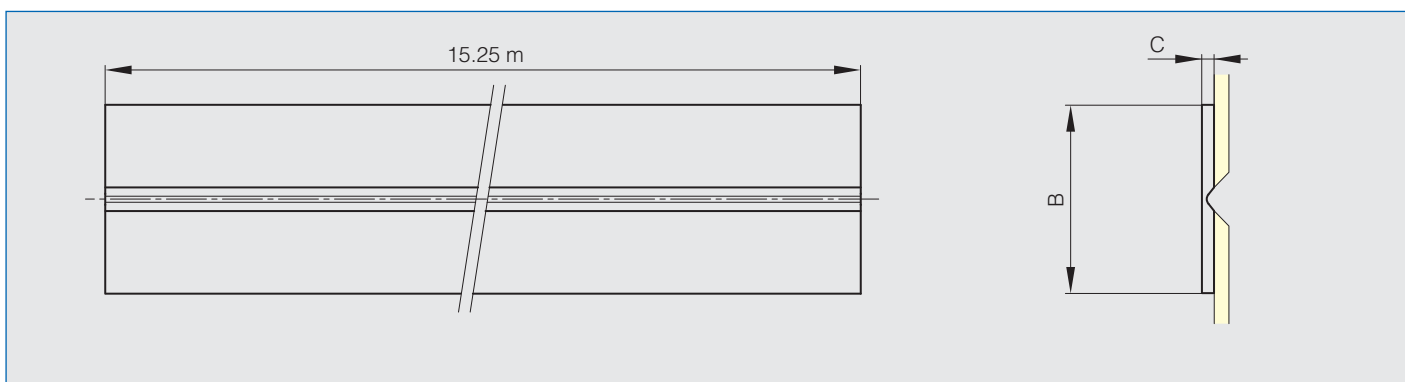


### Continuous plastic hinge in 15,25 meter rolls

Technical features :

- Temperatures: -40°C up to +80°C
- Can be fixed with: rivets, screws, nails or clamps.
- Chemical resistance : oil, solvents, sea water and most chemical agents.
- Tensile resistance : 180 N/cm
- Material offers excellent fatigue resistance.

Part number	Material	Finish	B	C	Weight (g)
44-7-3000	polypropylene	white	28.6	3.2	1050
44-7-3001	polypropylene	grey	28.6	3.2	1050
44-7-3002	polypropylene	black	28.6	3.2	1050
44-7-3003	polypropylene	white	38.1	3.2	1450
44-7-3004	polypropylene	grey	38.1	3.2	1450
44-7-3005	polypropylene	black	38.1	3.2	1450
44-7-3006	polypropylene	white	50.8	3.2	2300
44-7-3007	polypropylene	grey	50.8	3.2	2300
44-7-3008	polypropylene	black	50.8	3.2	2300
44-7-3009	polypropylene	white	76.2	3.2	2900
44-7-3010	polypropylene	grey	76.2	3.2	2900
44-7-3011	polypropylene	black	76.2	3.2	2900







# Hinges

## Plastic hinges

### Lift-off hinges in plastic

Hinges are made of 15% GF polyamide, pins are in 303 stainless steel.



Part number	Material	Finish	A	B	C	D	S	Note	Weight (g)
14-7-3722	polyamide	black	74	60	7	9.5	5	type 1 symmetric not shown	53
14-7-3723	polyamide	black	74	60	7	9.5	5	type 2 as shown below	53

