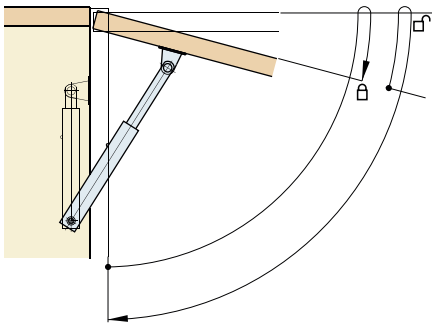




# Lid & support stays

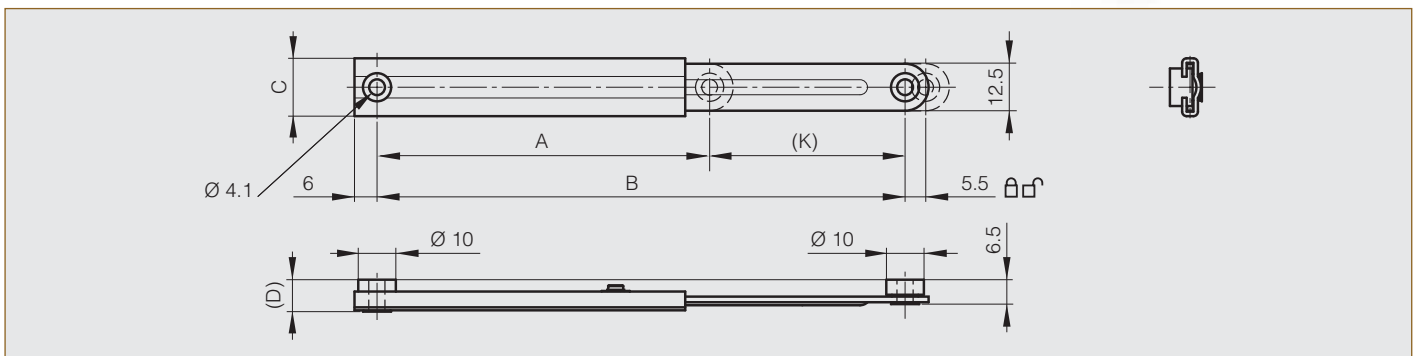
## Support stays



### Support stays with automatic release - small size

Load capacity : 6 kg.

Part number	Material	Finish	A	B	C	D	K	Weight (g)
24-7-3577	304 stainless steel	raw	67	100	15.4	8.8	32	10
24-7-3571	304 stainless steel	raw	88	140	15.4	8.8	52	40

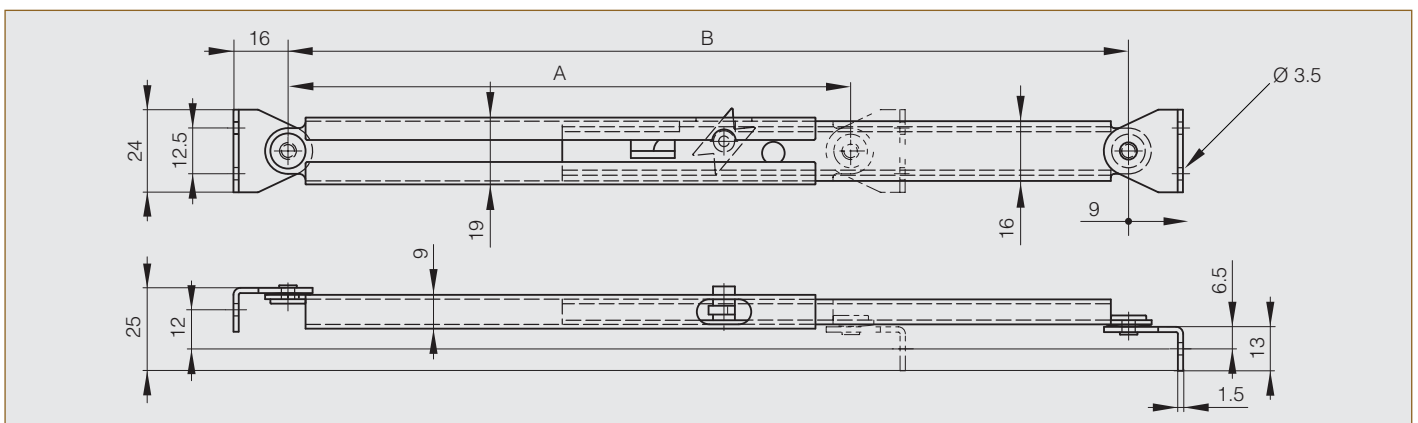


### Support stay with automatic release - 239 mm long

A = closed dimension

B = extended dimension

Part number	Material	Finish	A	B	Weight (g)
24-7-3542	steel	zinc plated	159	239	112





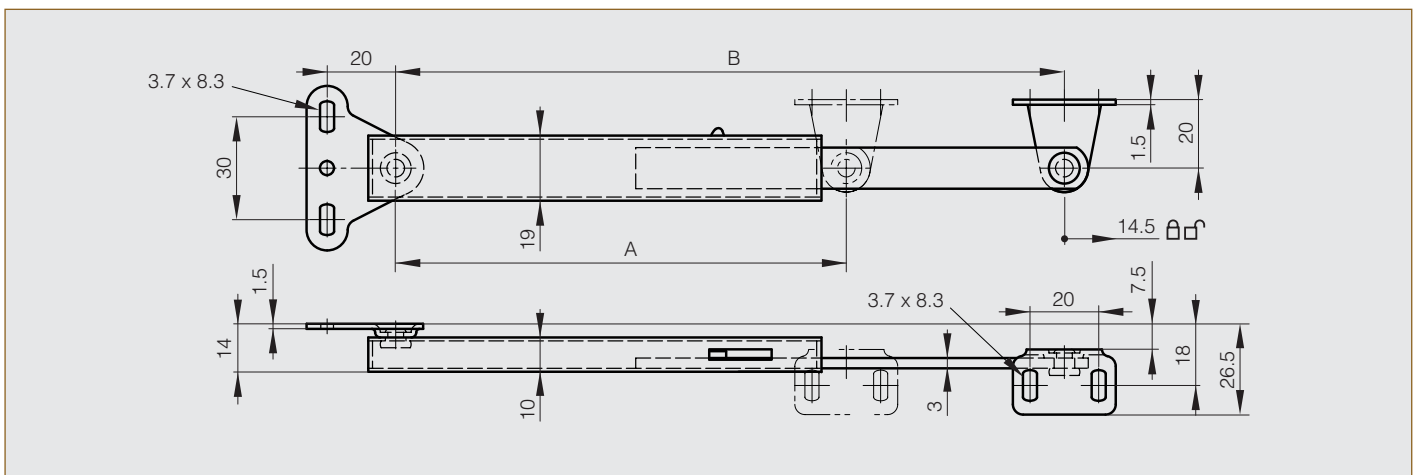
# Lid & support stays

## Support stays

### Support stays with automatic release in stainless steel

Load capacity : 15 kg.

Part number	Material	Finish	A	B	Weight (g)
24-7-3552	304 stainless steel	satin	133	195	125
24-7-3553	304 stainless steel	satin	170	270	150

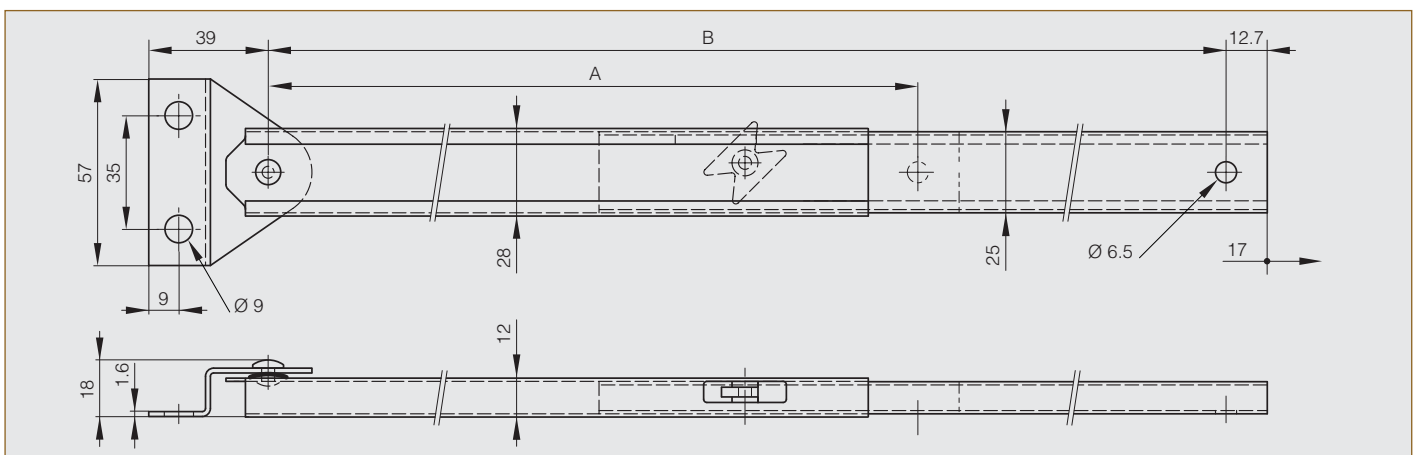


### Support stay with automatic release - 495 mm long

A = closed dimension

B = extended dimension

Part number	Material	Finish	A	B	Weight (g)
24-7-3543	steel	zinc plated	300	495	304





# Lid & support stays

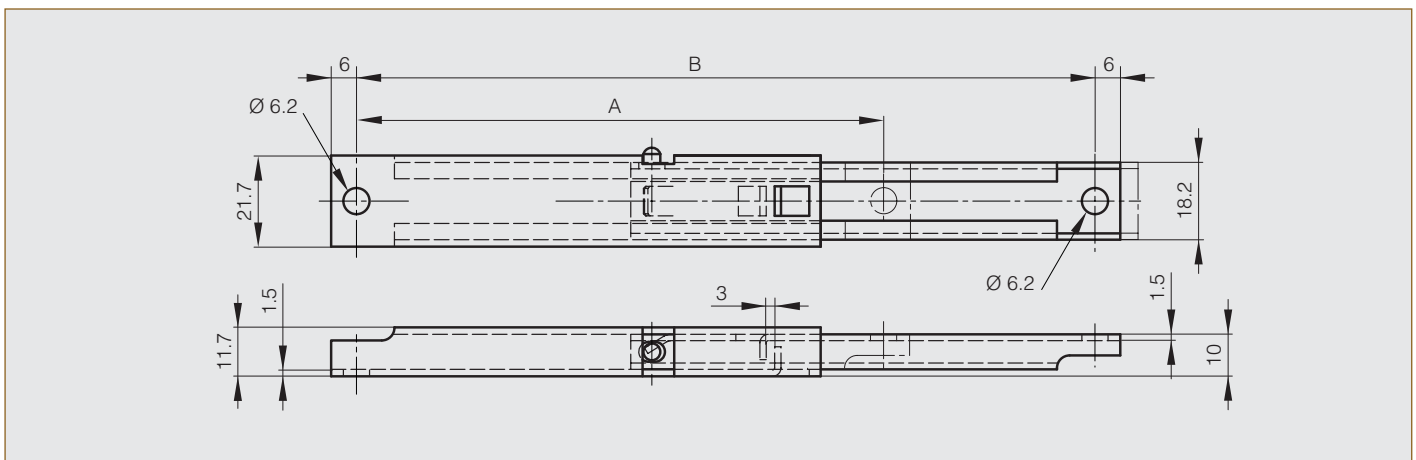
## Support stays

### Support stays with manual release

A = closed dimension  
 B = extended dimension  
 Load capacity: 50 kg.  
 Push button release.



Part number	Material	Finish	A	B	Weight (g)
24-1-3558	304 stainless steel	raw	125	173	101
24-1-3559	304 stainless steel	raw	150	225	125
24-1-3560	304 stainless steel	raw	175	275	145

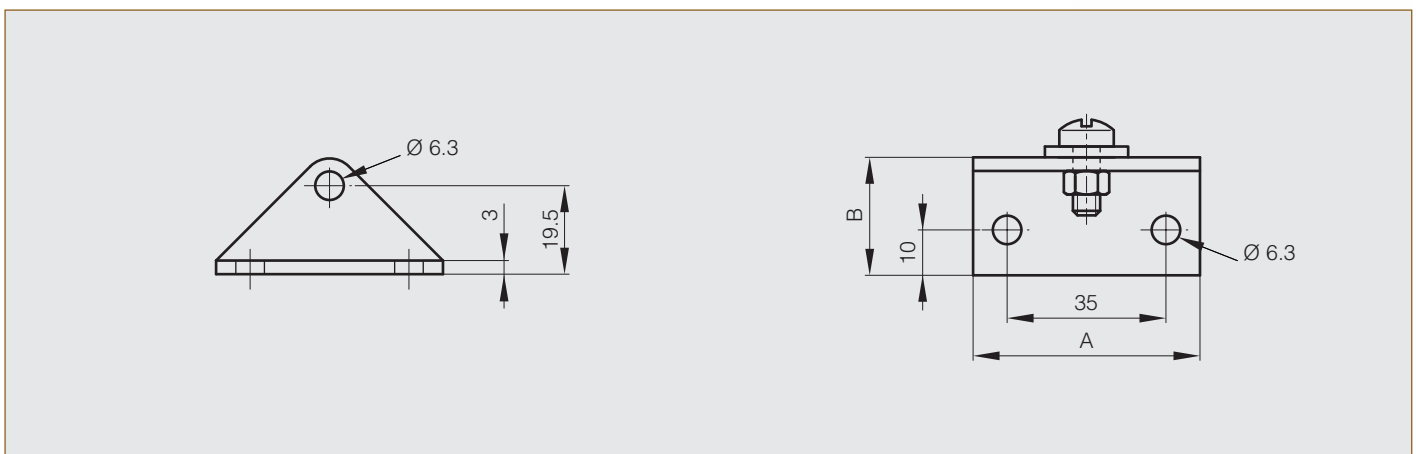


### Bracket

Complete with M6 screw, M6 nut and 3 mm thick washer.  
 For part numbers 24-1-3558, 24-1-3559 and 24-1-3560.



Part number	Material	Finish	A	B	Weight (g)
99-1-3558	stainless steel	raw	50	26	54





# Lid & support stays

## Support stays

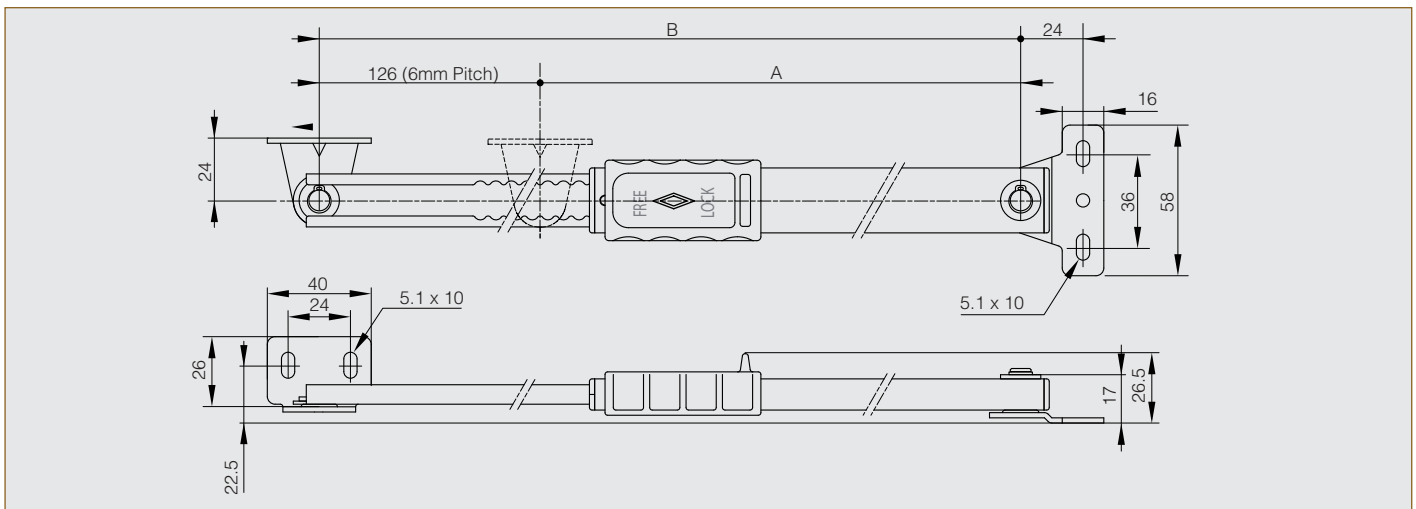
### Multi-angle lid stay with lock

**NEW!**

Locking lid in multiple positions by manually sliding lock lever.  
 Slide back lever to lock / unlock.  
 Ideal for vibration or shock applications.  
 Can be installed individually or in pairs.  
 Non-handed : can be installed on left or right side.  
 Compression load : max. 290 N.



Part number	Material	Finish	A	B	Weight (g)
24-7-3580	304 stainless steel	satin	224	350	325



### Lid stay

For holding lids or panels in open position (vertical to horizontal).

Part number	Material	Finish	A	B	Weight (g)
24-7-3546	304 stainless steel	satin	210	180	89.5
24-7-3547	304 stainless steel	satin	240	210	94.5
24-7-3548	304 stainless steel	satin	270	240	106.5

