

Telescopic slides

Aluminium mini slides

290

Telescopic slides (2 pieces), 3/4 extension

291

Telescopic slides (3 pieces), full extension, positive lock

292

Telescopic slides (3 pieces), full extension, positive stop

293

Telescopic slides (3 pieces), full extension, positive stop, heavy duty

294





Telescopic slides

Aluminium slides

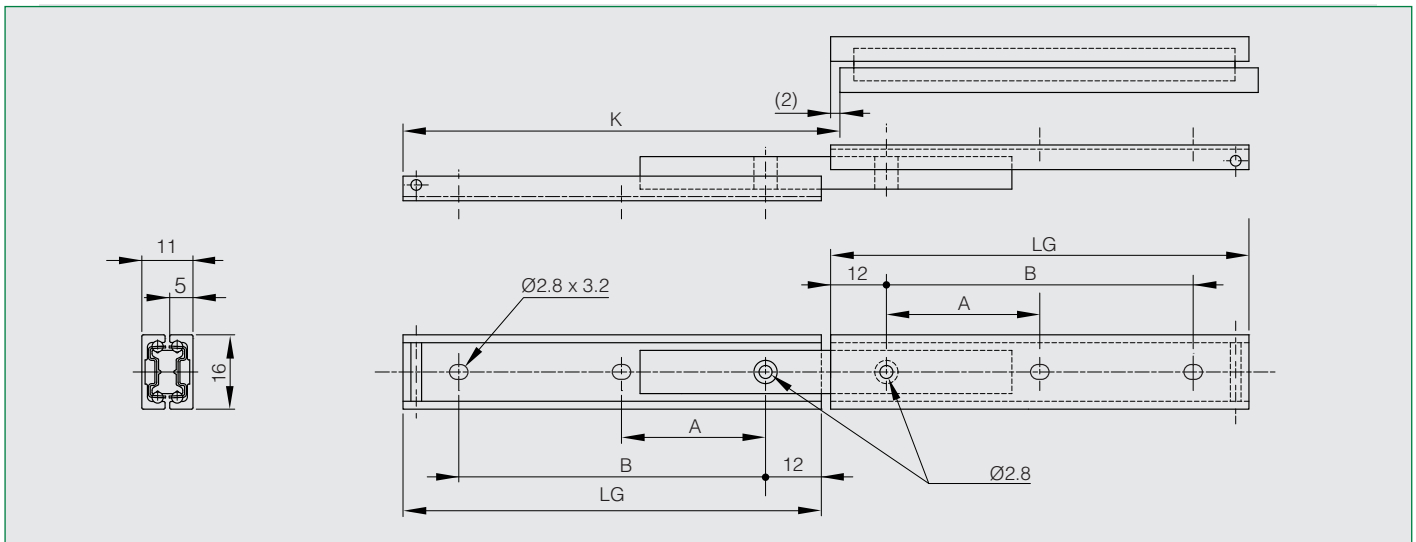
Aluminium mini slides

NEW!

Full extension. Positive stop.
Thin profile for various applications.
LG = slide length
K = travel length
CN = load rating (kg/pair)



Part number	Material	Finish	K	LG	A	B	CN	Weight (g)
21-7-3581	aluminium	anodised	77	80	-	56	20	31.5
21-7-3582	aluminium	anodised	117	100	38	76	29	36
21-7-3583	aluminium	anodised	151	150	63	126	39	54.5





Telescopic slides

Stainless steel slides

3/4 extension ball-bearing slide (2 pieces), front disconnect

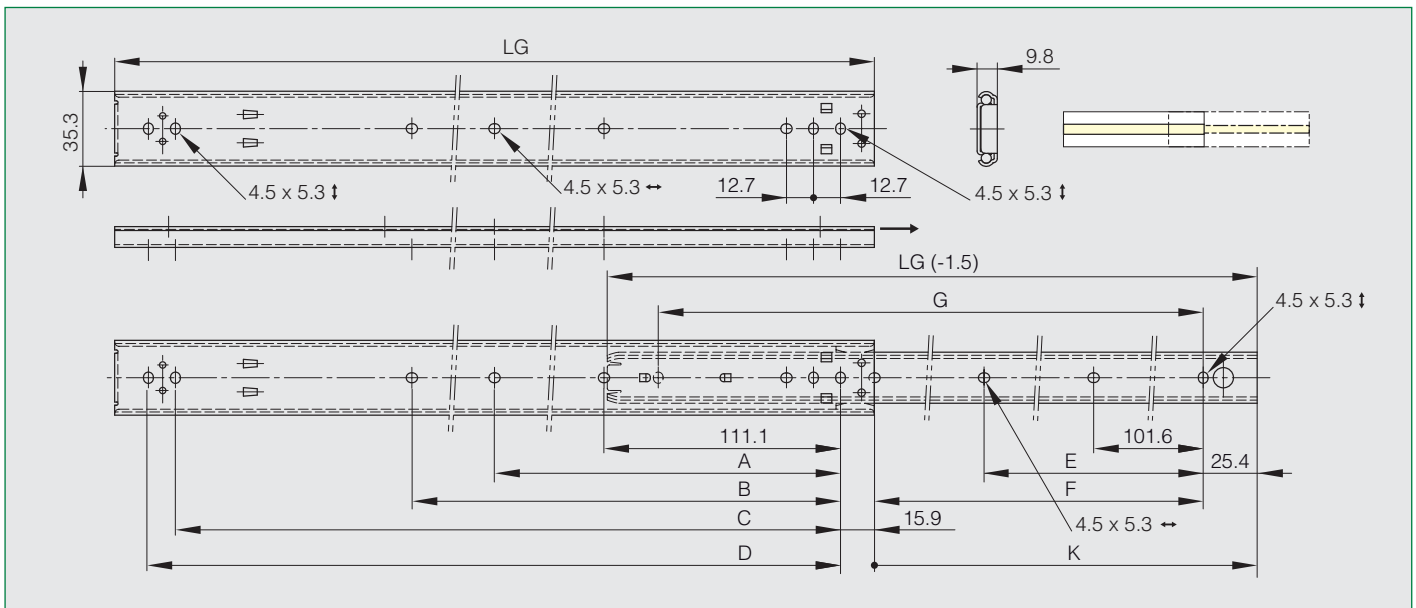
LG = slide length

K = travel length

CN = load rating (kg/pair)



Part number	Material	Finish	K	LG	A	B	C	D	E	F	G	CN	Weight (g)
21-7-3576	304 stainless steel	raw	228.6	304.8	-	149.2	260.3	273	-	152.4	254	49	300
21-7-3577	304 stainless steel	raw	279.4	355.6	-	200	311.1	323.8	-	203.2	304.8	47	360
21-7-3562	304 stainless steel	raw	304.8	406.4	-	250.8	361.9	374.6	-	254	359.6	43	420
21-7-3563	304 stainless steel	raw	330.2	457.2	212.7	301.6	412.7	425.4	203.2	304.8	406.4	41	460
21-7-3564	304 stainless steel	raw	382	508	238.1	352.4	463.5	476.2	228.6	355.6	457.2	37	490
21-7-3565	304 stainless steel	raw	406.4	558.8	263.5	403.2	514.3	527	254	406.4	508	34	560
21-7-3566	304 stainless steel	raw	432.8	609.6	288.9	454	565.1	577.8	279.4	457.2	558.8	30	590
21-7-3567	304 stainless steel	raw	482.6	660.4	314.3	504.8	615.9	628.6	304.8	508	609.6	27	660
21-7-3568	304 stainless steel	raw	508	711.2	339.7	555.6	666.7	679.4	330.2	558.8	660.4	25	690





Telescopic slides

Stainless steel slides

full extension ball-bearing slide (3 piece), front disconnect and positive lock

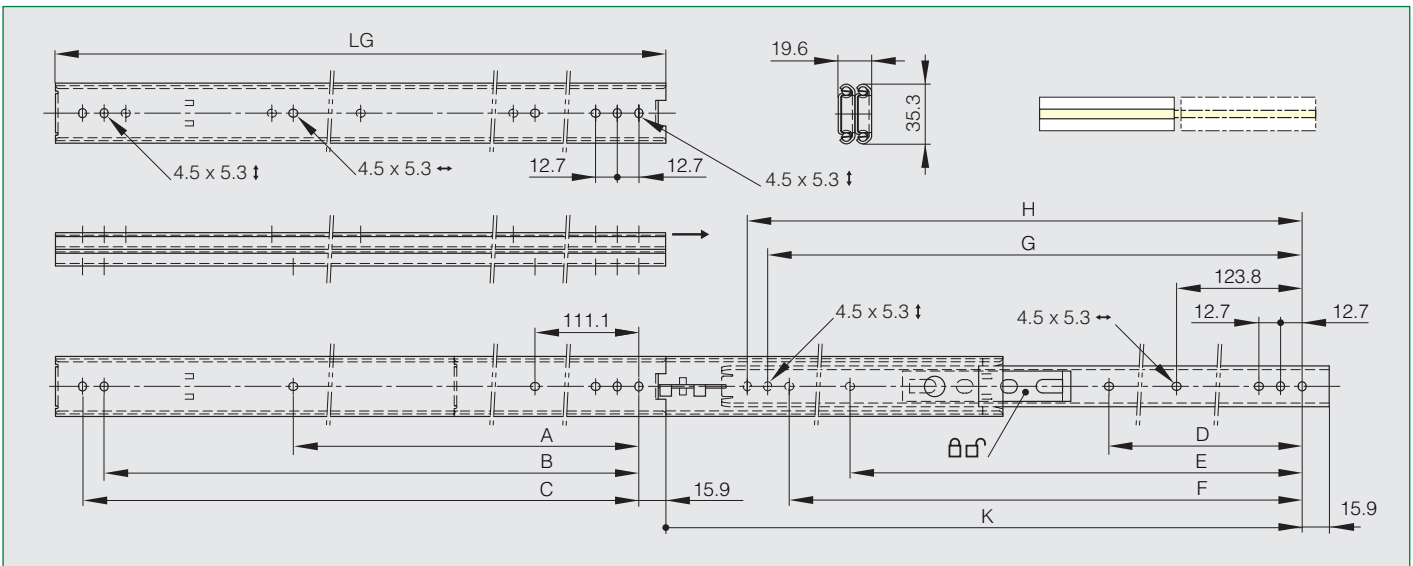
LG = slide length

K = travel length

CN = load rating (kg/pair)



Part number	Material	Finish	K	LG	A	B	C	D	E	F	G	H	CN	Weight (g)
21-7-3569	304 stainless steel	raw	421.7	406.4	250.8	361.9	374.6	-	-	349.2	361.9	374.6	57	840
21-7-3570	304 stainless steel	raw	472.5	457.2	301.6	412.7	425.4	212.7	-	400	412.7	425.4	53	950
21-7-3571	304 stainless steel	raw	523.3	508	352.4	463.5	476.2	238.1	-	450.8	463.5	476.2	49	1030
21-7-3572	304 stainless steel	raw	574.1	558.8	403.2	514.3	527	263.5	415.9	501.6	514.3	527	45	1150
21-7-3573	304 stainless steel	raw	624.9	609.6	454	565.1	577.8	288.9	466.7	552.4	565.1	577.8	42	1280
21-7-3574	304 stainless steel	raw	675.7	660.4	504.8	615.9	628.6	314.3	517.5	603.2	615.9	628.6	39	1400
21-7-3575	304 stainless steel	raw	726.5	711.2	555.6	666.7	679.4	339.7	568.3	654	666.7	679.4	36	1500





Telescopic slides

Stainless steel slides

full extension ball-bearing slide (3 pieces), front disconnect and positive stop

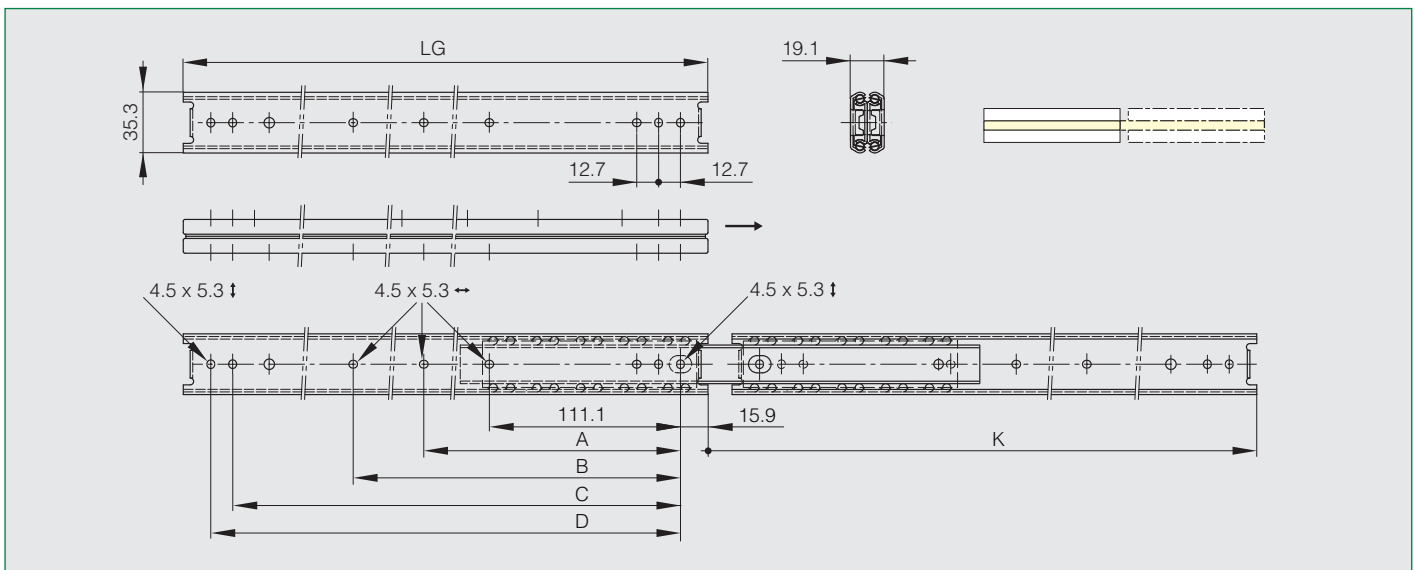
LG = slide length

K = travel length

CN = load rating (kg/pair)



Part number	Material	Finish	K	LG	A	B	C	D	CN	Weight (g)
21-7-3578	304 stainless steel	raw	327.2	304.8	-	149.2	260.3	273	60	620
21-7-3579	304 stainless steel	raw	378	355.6	-	200	311.1	323.8	59	720
21-7-3555	304 stainless steel	raw	428.4	406.4	-	250.8	361.9	374.6	57	820
21-7-3556	304 stainless steel	raw	479.2	457.2	212.7	301.6	412.7	425.4	56	920
21-7-3557	304 stainless steel	raw	530	508	238.1	352.4	463.5	476.2	54	1025
21-7-3558	304 stainless steel	raw	580.8	558.8	263.5	403.2	514.3	527	51	1125
21-7-3559	304 stainless steel	raw	631.6	609.6	288.9	454	565.1	577.8	49	1225
21-7-3560	304 stainless steel	raw	682.4	660.4	314.3	504.8	615.9	628.6	47	1325
21-7-3561	304 stainless steel	raw	733.2	711.2	339.7	555.6	666.7	679.4	45	1425





Telescopic slides

Stainless steel slides

heavy duty, full extension ball-bearing slide (3 pieces), front disconnect and positive stop

LG = slide length

K = travel length

CN = load rating (kg/pair)



Part number	Material	Finish	K	LG	A	B	C	CN	Weight (g)
21-7-3548	304 stainless steel	raw	420.6	406.6	-	250.8	374.6	259	2340
21-7-3549	304 stainless steel	raw	471.4	457.4	212.7	301.6	425.4	250	2500
21-7-3550	304 stainless steel	raw	522.2	508.2	238.1	352.4	476.2	241	2840
21-7-3551	304 stainless steel	raw	573	559	263.5	403.2	527	229	3250
21-7-3552	304 stainless steel	raw	623.8	609.8	288.9	454	577.8	216	3500
21-7-3553	304 stainless steel	raw	674.6	660.6	314.3	504.8	628.6	200	3840
21-7-3554	304 stainless steel	raw	725.4	711.4	339.7	555.6	679.4	182	4170

