



Latching systems

Compression latches

Lockable compression latch

NEW!

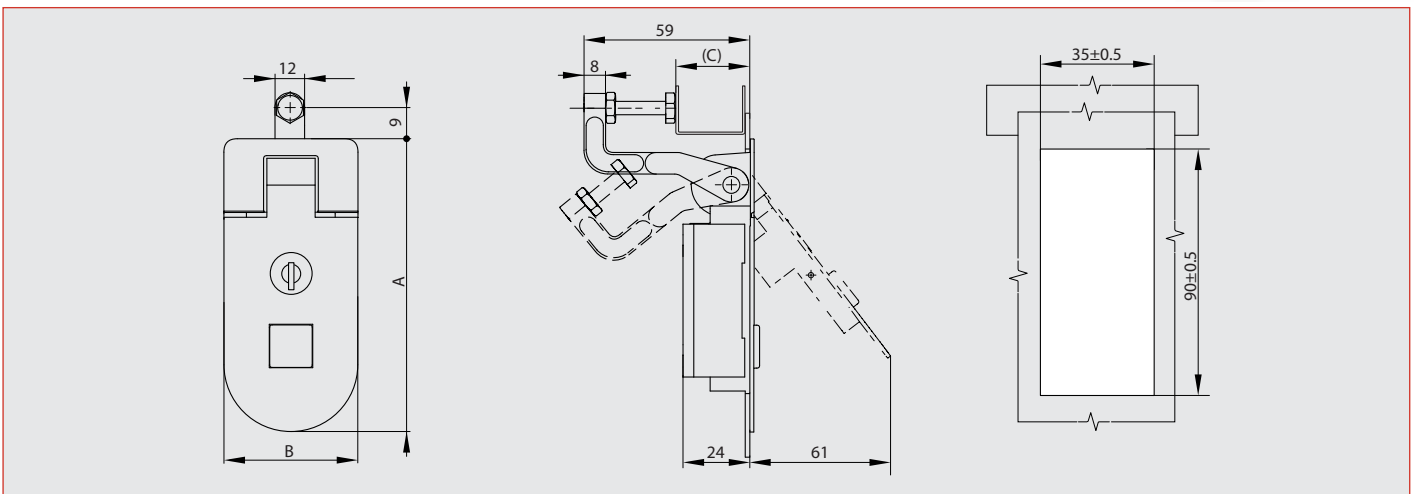
Ease of mounting. Keyed alike.

Body : zinc die-cast.

Bracket and screw : zinc plated steel.



| Part number | Material | Finish | A | B | C | Weight (g) |
|-------------|---------------|--------|-----|----|-------|------------|
| 16-1-9018 | zinc die-cast | black | 110 | 50 | 31-48 | 420 |



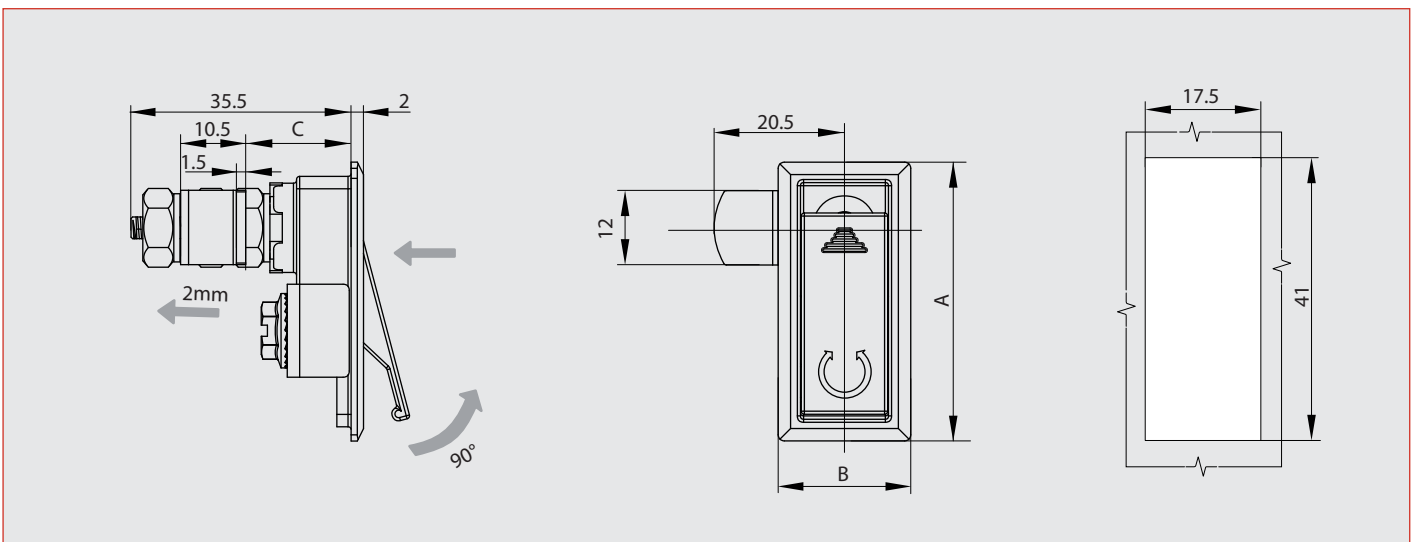
Mini compression latch - lift and turn

NEW!

Dimension C adjustable with the nut. Easy and fast unlocking. Body in zinc-die, bracket and cam in zinc plated steel.



| Part number | Material | Finish | A | B | C | Weight (g) |
|-------------|---------------|--------|----|------|-------|------------|
| 16-1-9019 | zinc die-cast | black | 45 | 21.4 | 14-20 | 50 |





Latching systems

Compression latches

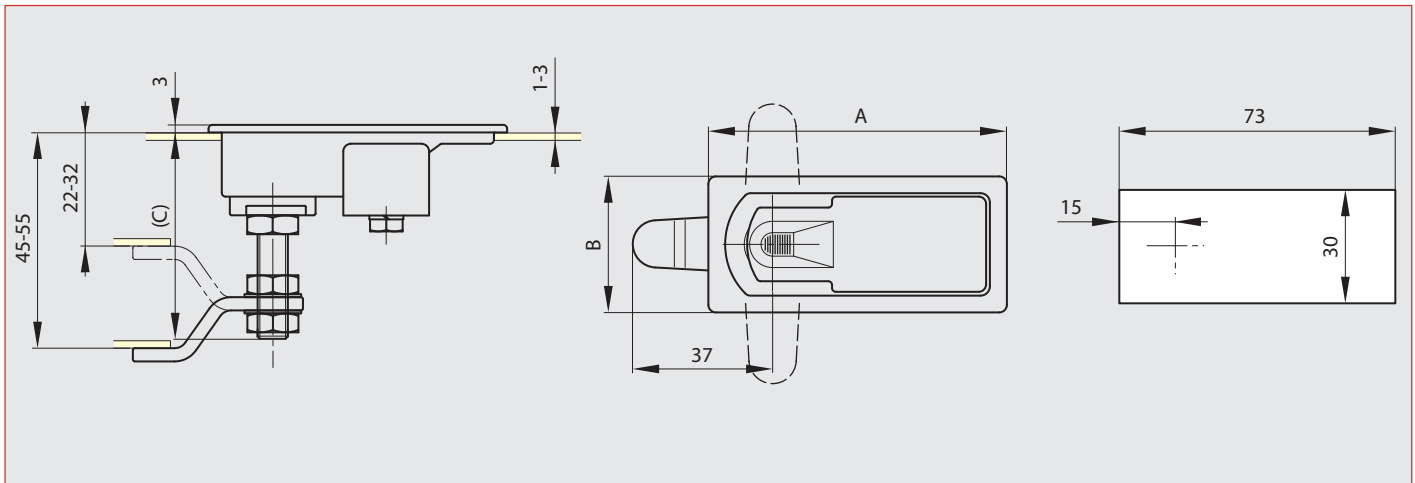
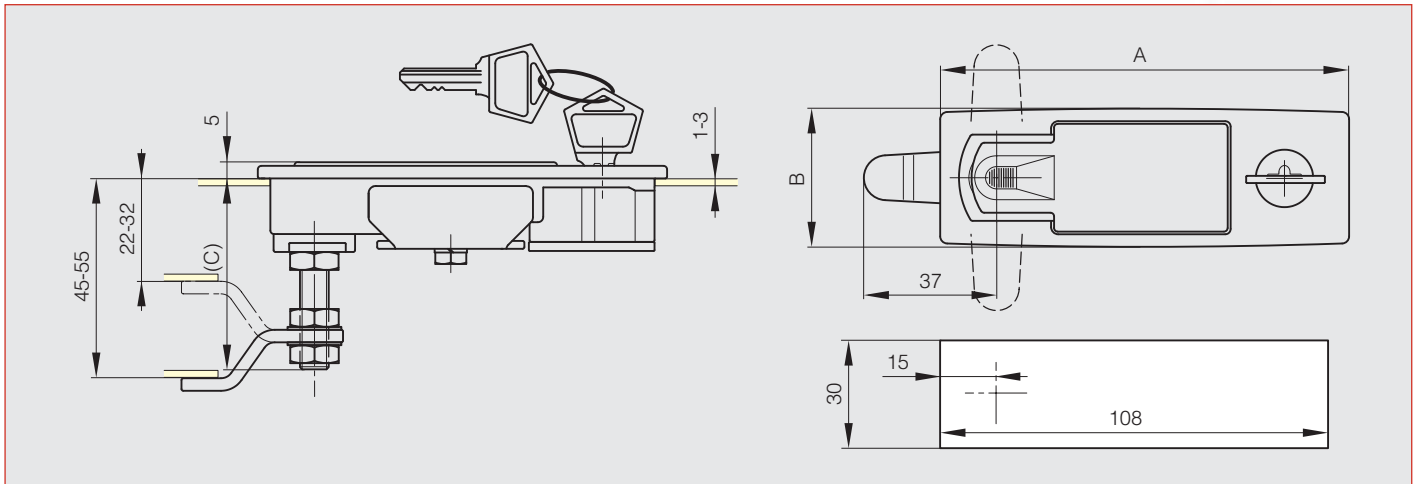
Compression latches - lift and turn

Keyed alike.

A full product data sheet is available on our website.



| Part number | Material | Finish | A | B | C | Note | Weight (g) |
|-------------|---------------|--------|-----|------|----|-------------|------------|
| 16-1-4112 | zinc die-cast | black | 79 | 36 | 52 | without key | 204 |
| 16-1-4113 | zinc die-cast | black | 114 | 38.5 | 52 | with key | 204 |





Latching systems

Compression latches

Flush compression latch

NEW!

Lockable or non lockable parts have the same dimensions and the cut-out is the same for both.

Ease of mounting.

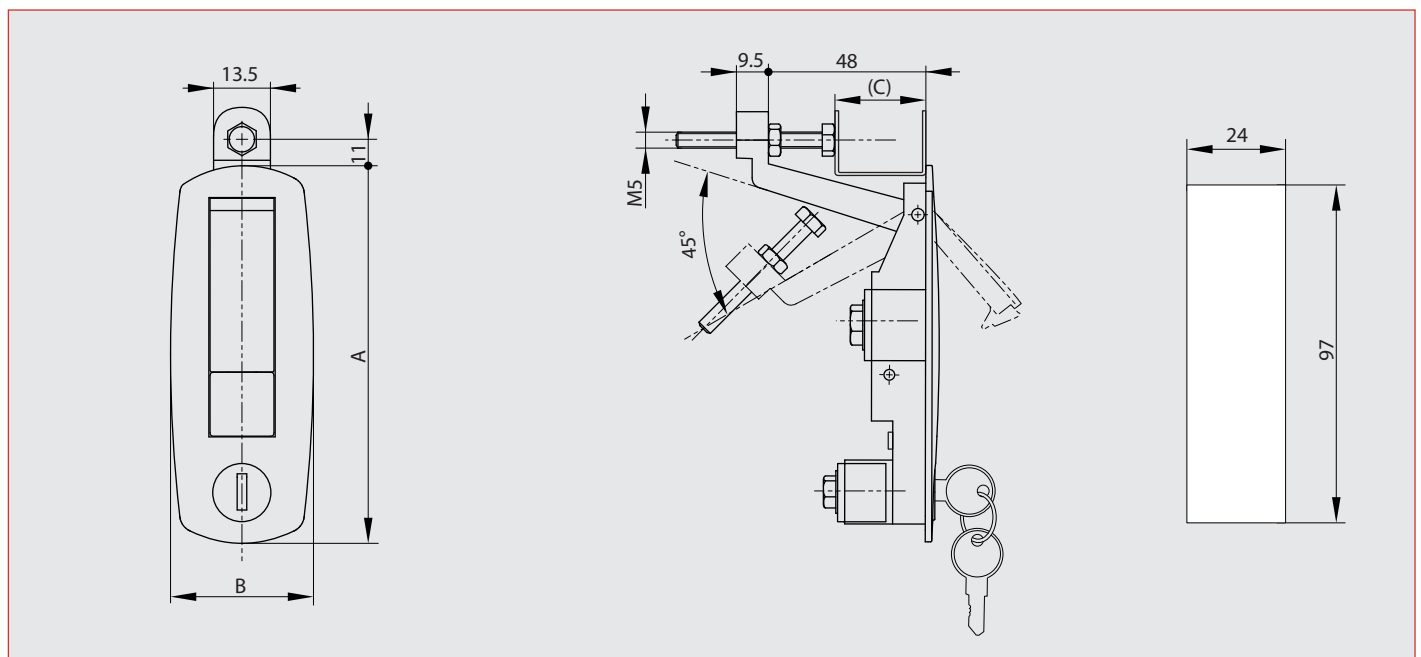
Keyed alike for lockable part.

Body : zinc die-cast.

Bracket and screw : zinc plated steel.



| Part number | Material | Finish | A | B | C | Note | Weight (g) |
|-------------|---------------|--------|-----|----|------|-------------|------------|
| 16-1-9010 | zinc die-cast | black | 106 | 42 | 1-35 | with key | 260 |
| 16-1-9023 | zinc die-cast | black | 106 | 42 | 1-35 | without key | 260 |





Latching systems

Compression latches

Vector T-handle - rivet mounted

IP 65 rated.

Handle rotation 90° right, 90° left.

Material: Body: Glass fiber reinforced polyamide (PA6)

Handle: zinc die-cast black powder coated/ Shaft: zinc plated steel.

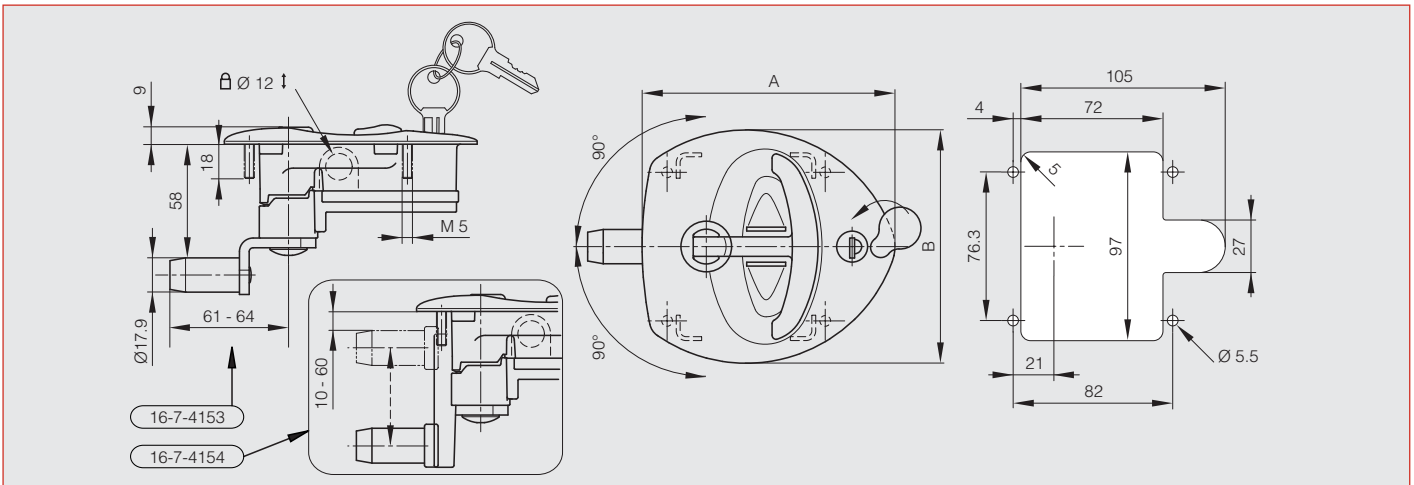
Cam: zinc die-cast or zinc plated steel/ Roller: Glass fiber reinforced polyamide (PA6)

Other key numbers and cams are available on request.

A full product data sheet is available on our website.



| Part number | Material | Finish | A | B | Note | Weight (g) |
|-------------|-----------------------------|--------|-----|-----|---------------------------------|------------|
| 16-7-4153 | polyamide and zinc die-cast | black | 131 | 120 | 1 point cam (H58) | 450 |
| 16-7-4154 | polyamide and zinc die-cast | black | 131 | 120 | adjustable 1 point cam (H10-60) | 490 |



Vector T-handle - screw mounted

Handle rotation 90° right, 90° left.

Outline flat gasket reference 27-7-3912.

Material : Body : Glass fiber reinforced polyamide (PA6)

Handle : zinc die-cast black powder coated/ Shaft : zinc plated steel.

Cam : zinc die-cast or zinc plated steel.

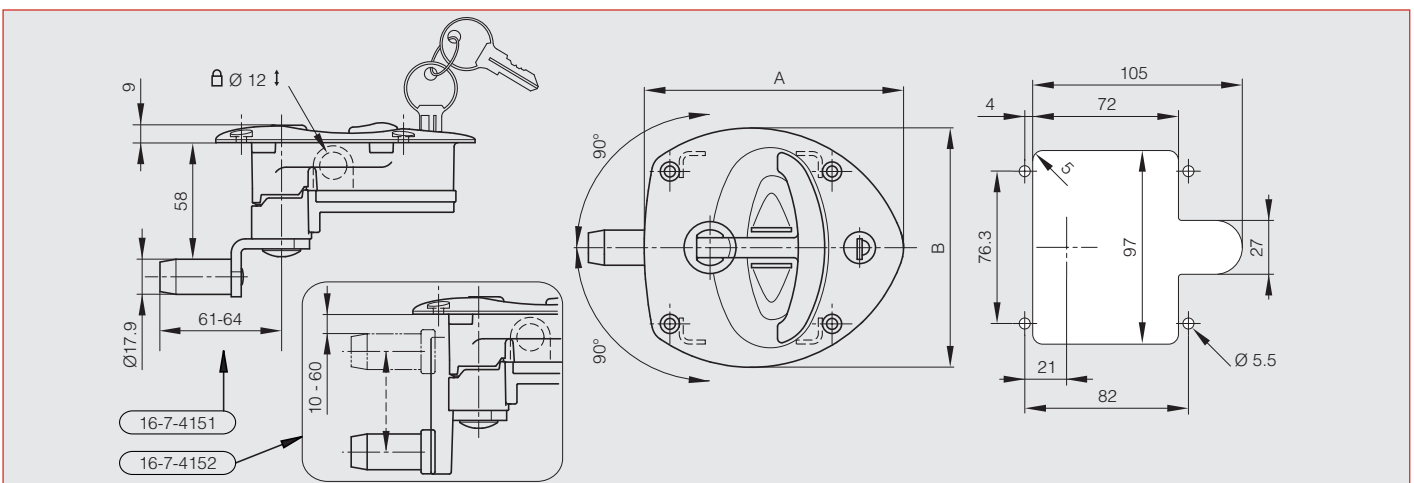
Roller : Glass fiber reinforced polyamide (PA6)

Other key numbers and cams are available on request.

A full product data sheet is available on our website.



| Part number | Material | Finish | A | B | Note | Weight (g) |
|-------------|-----------------------------|--------|-----|-----|---------------------------------|------------|
| 16-7-4151 | polyamide and zinc die-cast | black | 131 | 120 | 1 point cam (H58) | 410 |
| 16-7-4152 | polyamide and zinc die-cast | black | 131 | 120 | adjustable 1 point cam (H10-60) | 460 |





Latching systems

Compression latches

The Klimaflex range is a modular system for HVAC applications.
It is designed for quick and easy mounting

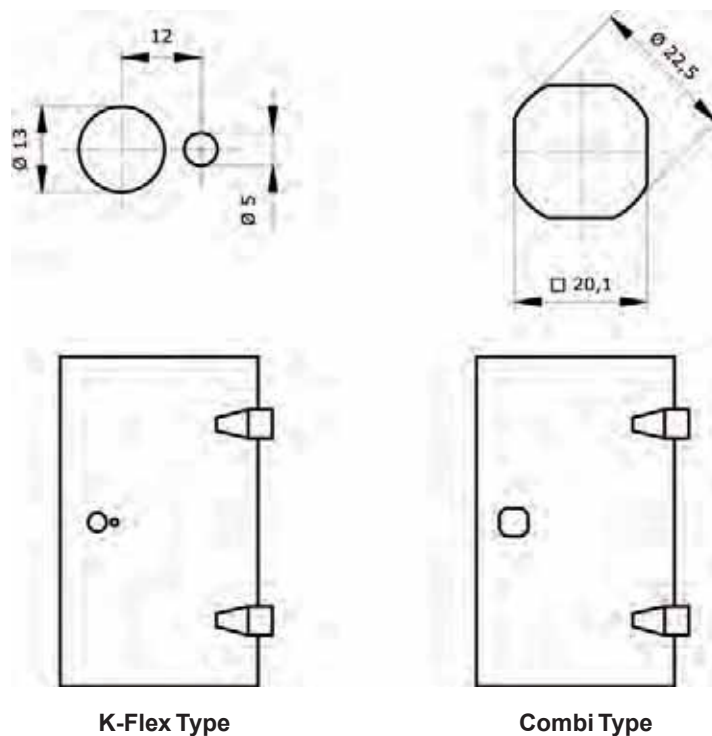
The following parts are necessary for each Klimaflex latch:

1. one exterior handle
2. one latching unit
3. one cam
4. one interior handle (optional)



Cut-outs for the latching unit

Two different cut-out versions: K-Flex or Combi.
Cut-out versions are mentioned for each latching unit in the catalogue.





Latching systems

Compression latches

Exterior handles - Klimaflex range

All handles can fit on any latching unit.

| Part number | Material | Note |
|-------------|----------|--|
| 16-7-4064 | black PA | simple handle |
| 16-7-4065 | black PA | handle with key lock 1333 |
| 16-7-4067 | black PA | handle with roller H 30,5 |
| 16-7-4076 | black PA | lockable handle |
| 16-7-4096 | black PA | handle with roller H 7,5 |
| 16-7-4097 | black PA | handle with roller H 14,5 |
| 16-7-4116 | black PA | simple cap if an exterior handle is not needed. |
| 16-7-4117 | black PA | cap with slot if an exterior handle is not needed. |
| 16-7-4118 | black PA | handle with square 8 |
| 16-7-4119 | black PA | handle with triangle 7 |
| 16-7-4120 | black PA | handle with hexagon 8 |



16-7-4064



16-7-4065



16-7-4116



16-7-4096



16-7-4067



16-7-4119

Interior handles - Klimaflex range

| Part number | Material | Finish | Note |
|-------------|-----------------------|--------|------------------|
| 16-7-4066 | zinc plated steel, PA | red | offset assembly |
| 16-7-4114 | zinc plated steel, PA | red | in-line assembly |
| 16-7-4115 | zinc plated steel, PA | black | in-line assembly |
| 16-7-4121 | zinc plated steel, PA | black | offset assembly |



16-7-4066



16-7-4115



Latching units - Klimaflex range

Latching units are fixed on 2 different cut-out versions : K-FLEX or COMBI.

Depending on the application, latching units can be fitted with alternative handles and cams.

Latching units can be fitted on various door thicknesses ranging from 25 to 100 mm, depending on the type of latching unit.



16-7-4068

| Part number | Material | Cut-out | Door thickness | Note | Weight (g) |
|-------------|--------------------------------|---------|----------------|---|------------|
| 16-7-4068 | black PA, steel, zinc die-cast | K-Flex | 50mm | This latching unit can be mounted with all accessories (cam, inside handles, rod guides) | 110 |
| 16-7-4069 | black PA, steel, zinc die-cast | Combi | 50mm | this latching unit can be mounted with all accessories (cam, interior handle or rod guides) | 110 |
| 16-7-4094 | black PA, steel, zinc die-cast | Combi | 50mm | this latching unit can be mounted with cam only (roller or flat cam) | 110 |
| 16-7-4098 | black PA, steel, zinc die-cast | K-Flex | 25mm | this latching unit can be mounted with cam only (roller or flat cam) | 110 |
| 16-7-4099 | black PA, steel, zinc die-cast | K-Flex | 25mm | this latching unit can be mounted with all accessories (cam, interior handle or rod guides) | 110 |
| 16-7-4100 | black PA, steel, zinc die-cast | K-Flex | 50mm | this latching unit can be mounted with all accessories (cam, interior handle or rod guides) | 110 |
| 16-7-4101 | black PA, steel, zinc die-cast | K-Flex | 65mm | this latching unit can be mounted with all accessories (cam, interior handle or rod guides) | 110 |
| 16-7-4102 | black PA, steel, zinc die-cast | K-Flex | 100mm | this latching unit can be mounted with all accessories (cam, interior handle or rod guides) | 110 |
| 16-7-4103 | black PA, steel, zinc die-cast | Combi | 25mm | this latching unit can be mounted with all accessories (cam, interior handle or rod guides) | 110 |
| 16-7-4104 | black PA, steel, zinc die-cast | K-Flex | 50mm | this latching unit can be mounted : cam only, cam + interior handle or cam + rod link | 110 |



16-7-4103



16-7-4099



16-7-4069



Latching systems

Compression latches

Cams - Klimaflex range

Various cams are available. For cams not listed in this catalogue (hook cam, 3 points cam, etc.) : please ask for details.

| Part number | Material | Note |
|-------------|-----------------------------|---------------|
| 16-7-4070 | zinc die-cast, black PA | Roller cam H7 |
| 16-7-4091 | zinc plated steel, black PA | Roller cam |
| 16-7-4092 | zinc plated steel, black PA | Roller cam |
| 16-7-4122 | zinc die-cast, black PA | Roller cam H7 |



16-7-4070



16-7-4091



16-7-4092

Rod links - Klimaflex range

| Part number | Material | Note |
|-------------|----------------------------------|----------------------------------|
| 16-7-4089 | zinc plated steel, zinc die-cast | 8mm diameter round rod connector |



Spacer nuts - Klimaflex range

| Part number | Material | Note |
|-------------|----------|--|
| 16-7-4109 | steel | M22 x 1.5 x 50mm long / for COMBI cut-out and door thickness of 50mm |
| 16-7-4110 | steel | M22 x 1.5 x 25mm long / for COMBI cut-out and door thickness of 25mm |

