

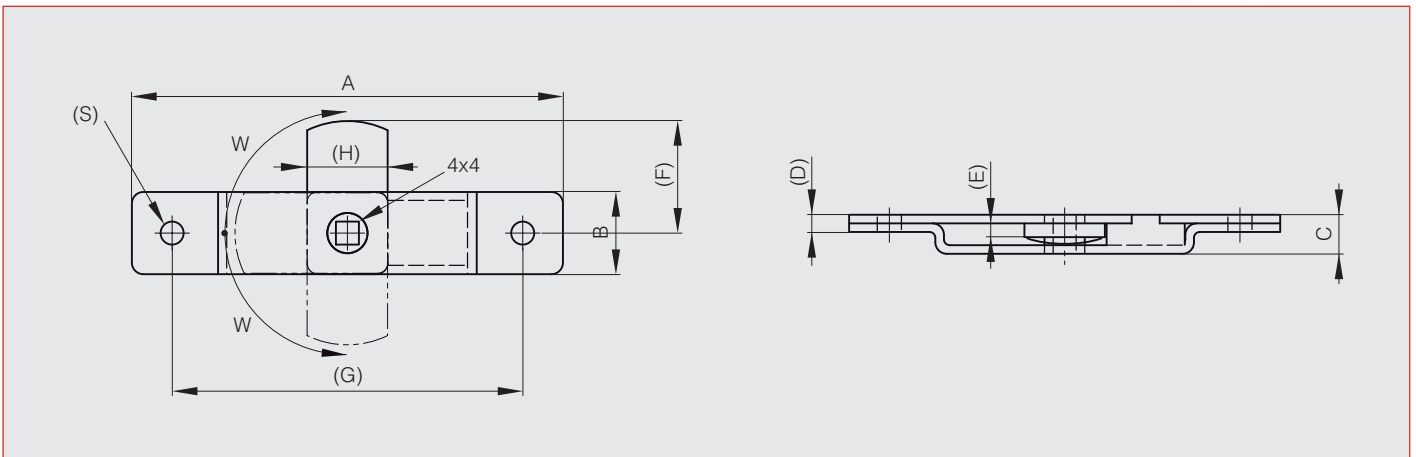


Latching systems

Budget latches

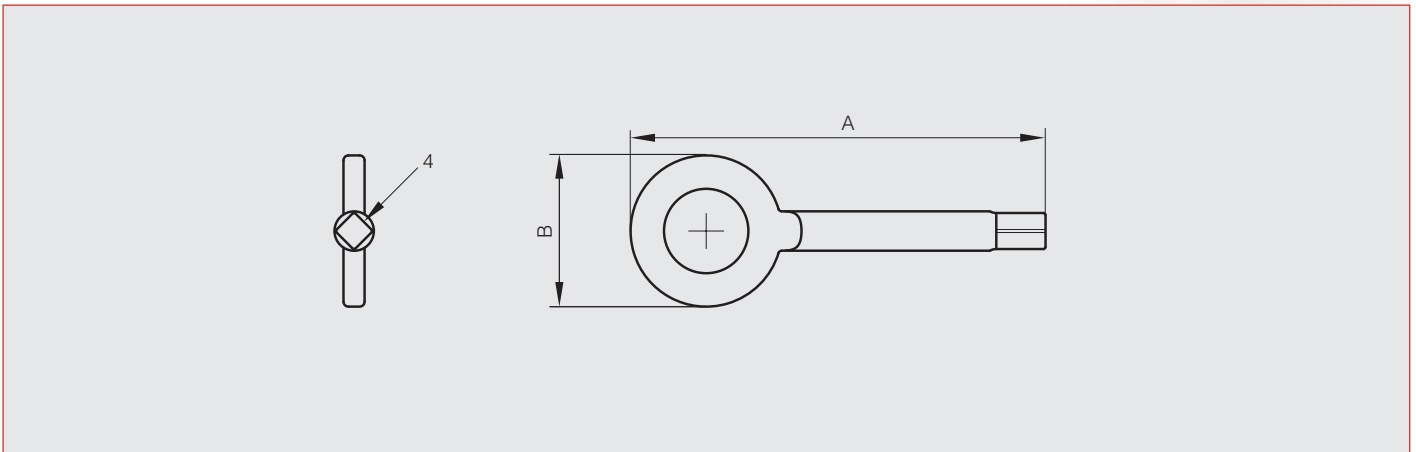
Budget latches - square 4x4

Part number	Material	Finish	A	B	C	D	E	F	G	H	S	W	Weight (g)
16-7-3288	steel	zinc plated	75	14	7	3	2.5	20	61	14	3.6	90°	32.5
16-7-3289	steel	zinc plated	85	16	8	3	3	23	66	16	3.6	90°	45



Key for part numbers 16-7-3288 and 16-7-3289

Part number	Material	Finish	A	B	Weight (g)
16-7-3313	steel	zinc plated	59	21.5	13



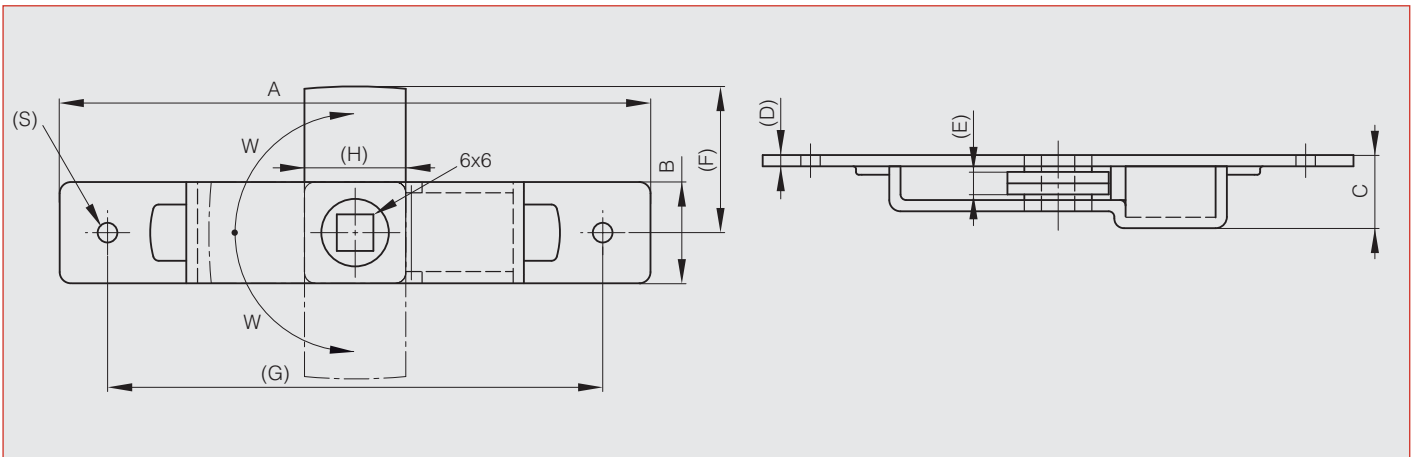


Latching systems

Budget latches

Budget latches - square 6x6

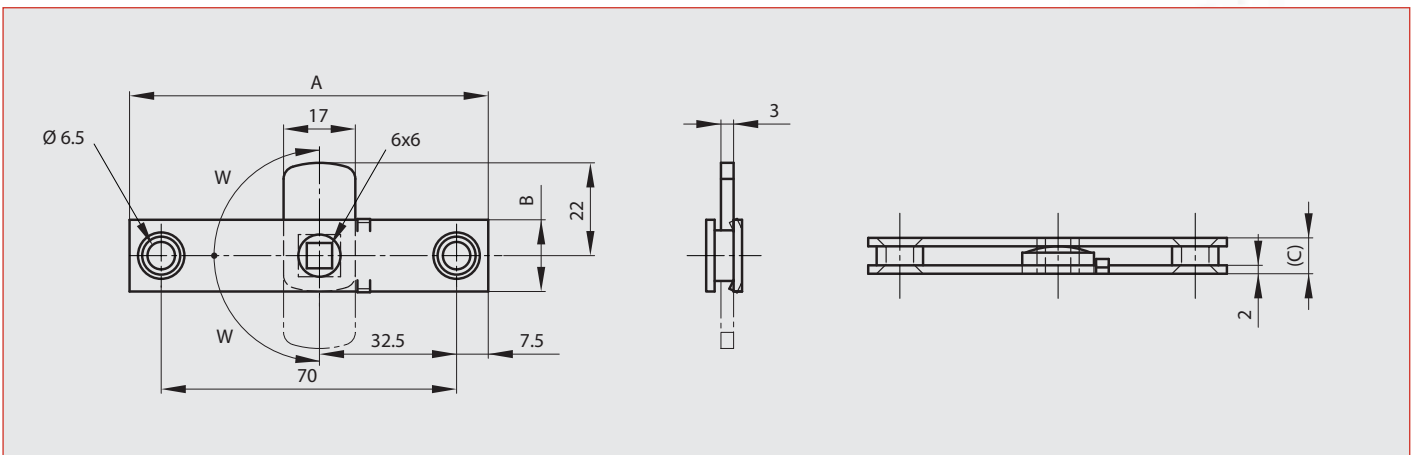
Part number	Material	Finish	A	B	C	D	E	F	G	H	S	W	Weight (g)
16-7-3290	steel	zinc plated	105	18	10.5	2	4	25.5	87	18	3.8	90°	58.5
16-7-3291	steel	zinc plated	105	20	10.5	2	4	25.5	86	18	3.8	90°	63
16-7-3292	steel	zinc plated	115	22	11	2	6	26	97	22	5.1	90°	97



Budget latch - square 6x6 - stainless steel

Not handed.

Part number	Material	Finish	A	B	C	W	Weight (g)
16-1-3972	304 stainless steel	raw	85	17	8.5	90°	56





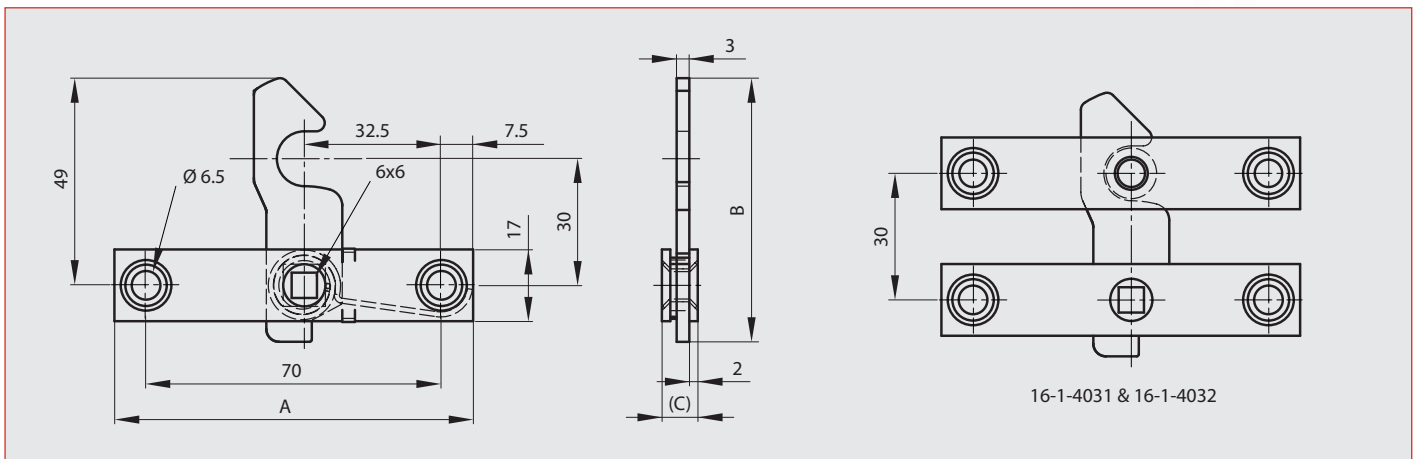
Latching systems

Budget latches

Spring budget latch with strike plate

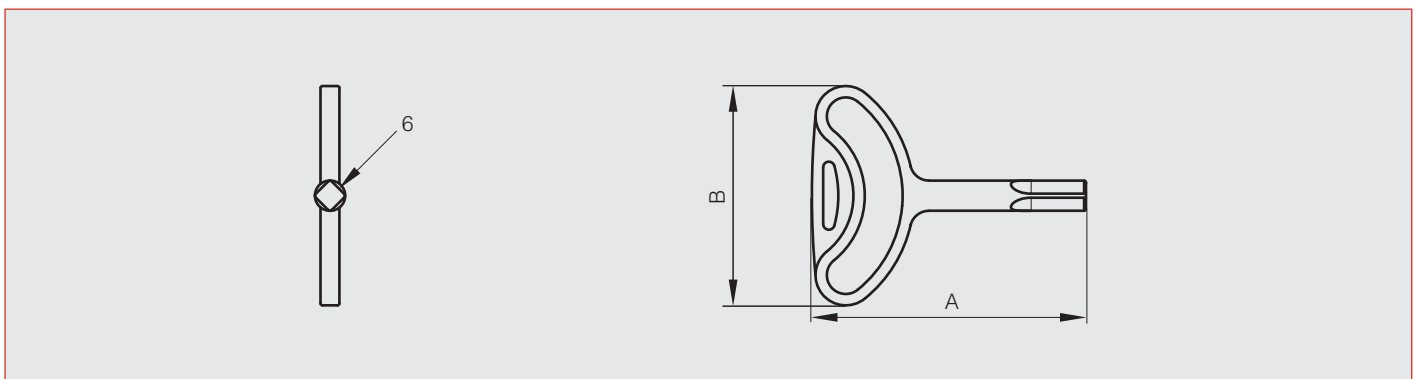
Not handed.

Part number	Material	Finish	A	B	C	Note	Weight (g)
16-1-4031	304 stainless steel	deburred	85	53.4	8.5	Budget latch (no strike)	69
16-1-4032	304 stainless steel	deburred	85	17	8.5	strike	48



Key for part numbers 16-7-3290, 16-7-3291, 16-7-3292, 16-1-3972 and 16-1-4031

Part number	Material	Finish	A	B	Weight (g)
16-7-3314	zinc die-cast	zinc plated	72.5	58	32





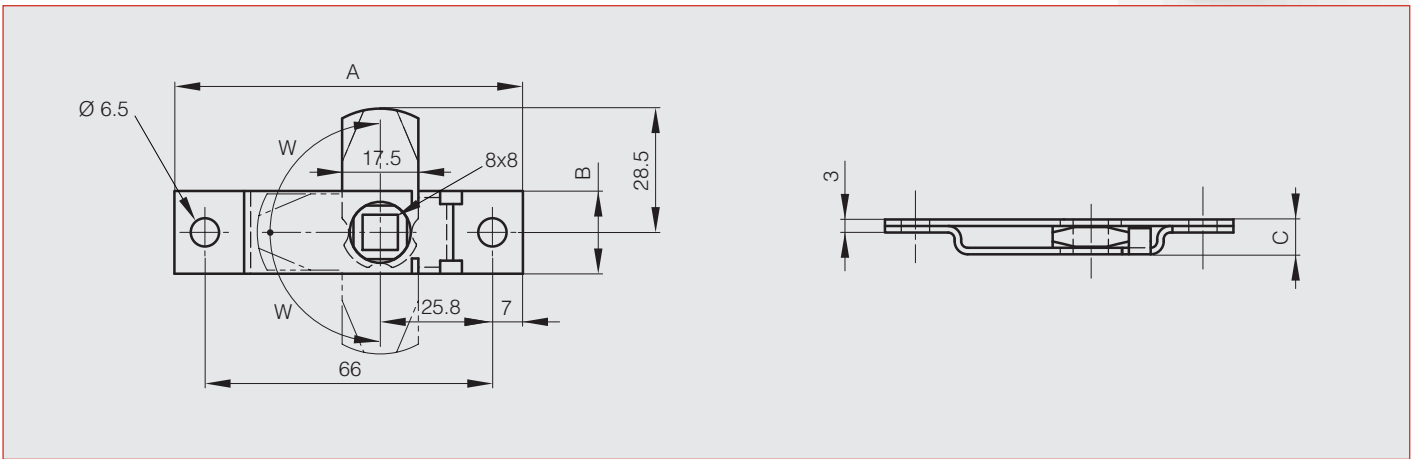
Latching systems

Budget latches

Budget latches - square 8x8

Not handed. 3 indent positions.

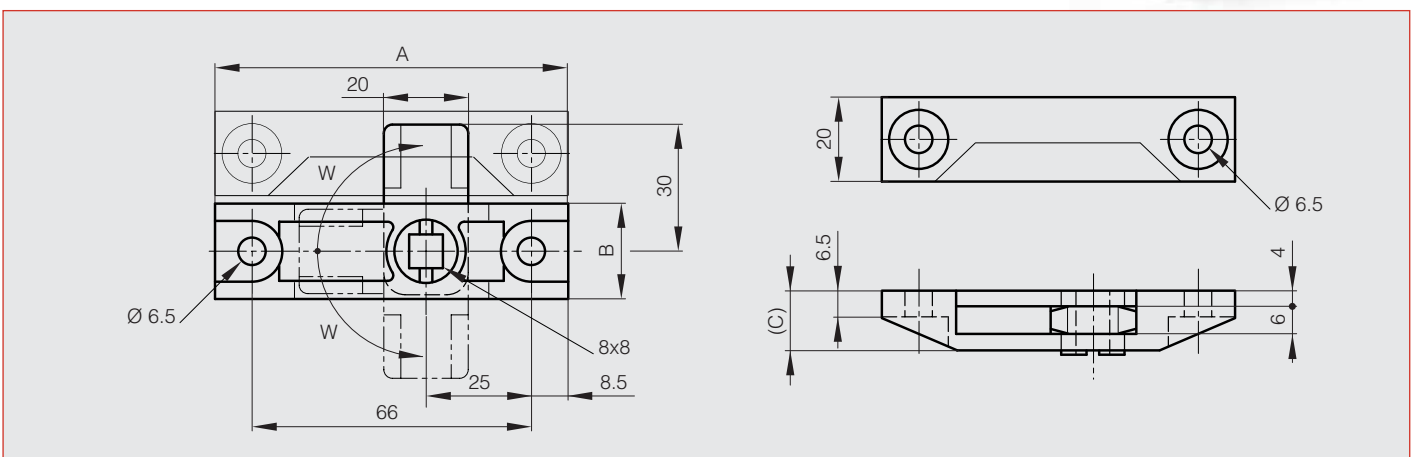
Part number	Material	Finish	A	B	C	W	Weight (g)
16-1-4085	steel	zinc plated	80	19	8	90°	63
16-1-4086	304 stainless steel	raw	80	19	8	90°	63



Plastic budget latch with strike plate

Not handed.

Part number	Material	Finish	A	B	C	W	Weight (g)
16-7-4012	acetal resin	black	83	22	14	90°	32





Latching systems

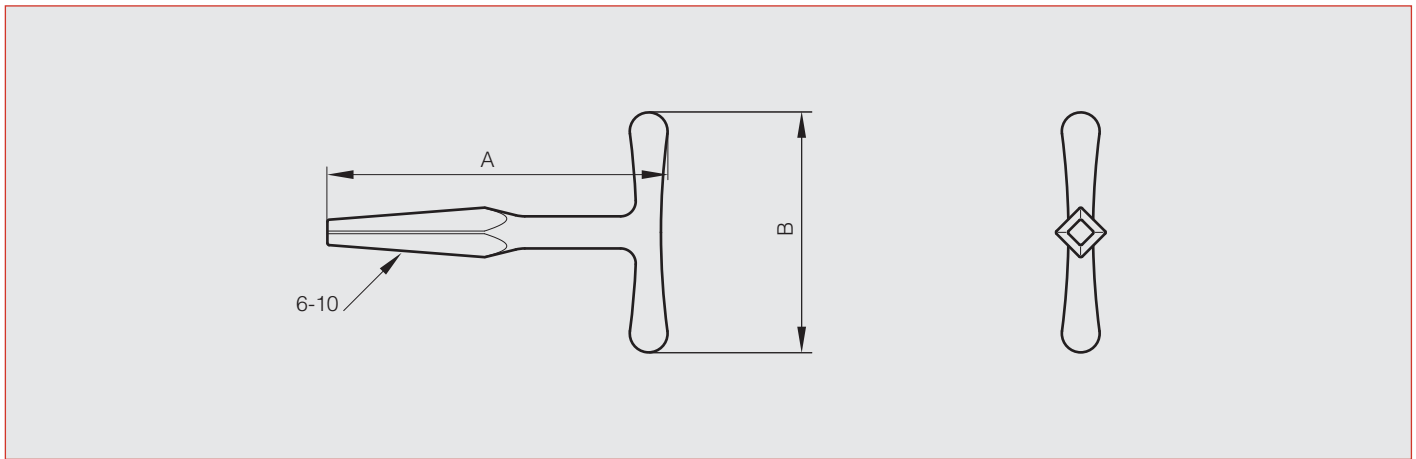
Budget latches

Key for part numbers 16-1-4085, 16-1-4086 and 16-7-4012

Can also be used with part numbers 16-7-3290, 16-7-3291 and 16-7-3292.



Part number	Material	A	B	Weight (g)
16-1-4083	cast iron	90	63.5	58

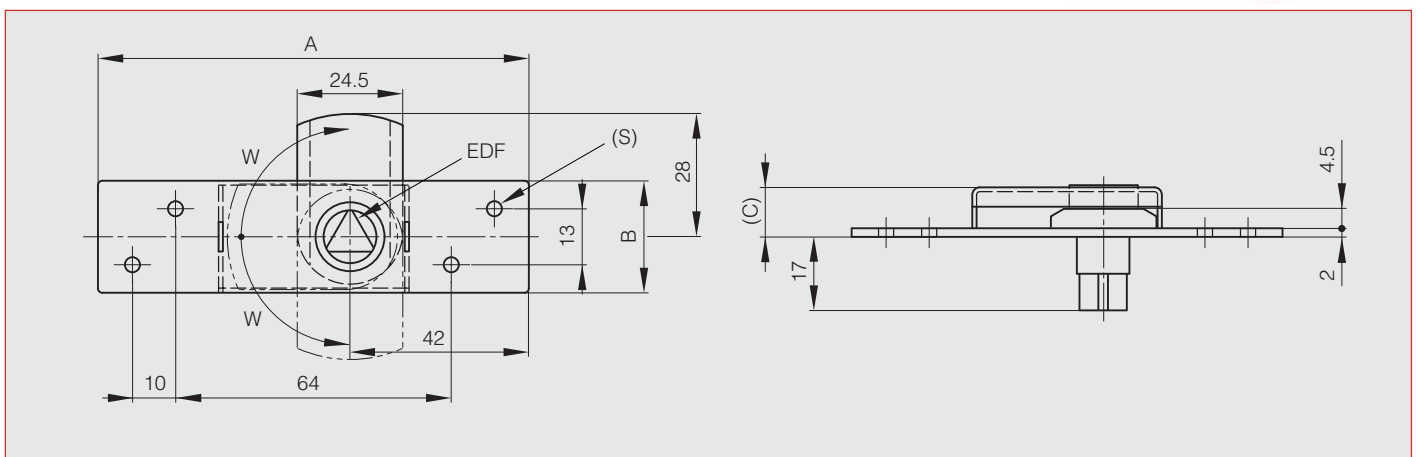


Special budget latch

Not handed.



Part number	Material	Finish	A	B	C	S	W	Weight (g)
16-7-4203	steel	zinc plated	100	26	9.5	3.5	90	103





Latching systems

Budget latches

Key for part number 16-7-4203



Part number	Material	Finish	A	B	Weight (g)
16-7-3316	zinc die-cast	zinc plated	76.3	58	36

