



Latching systems

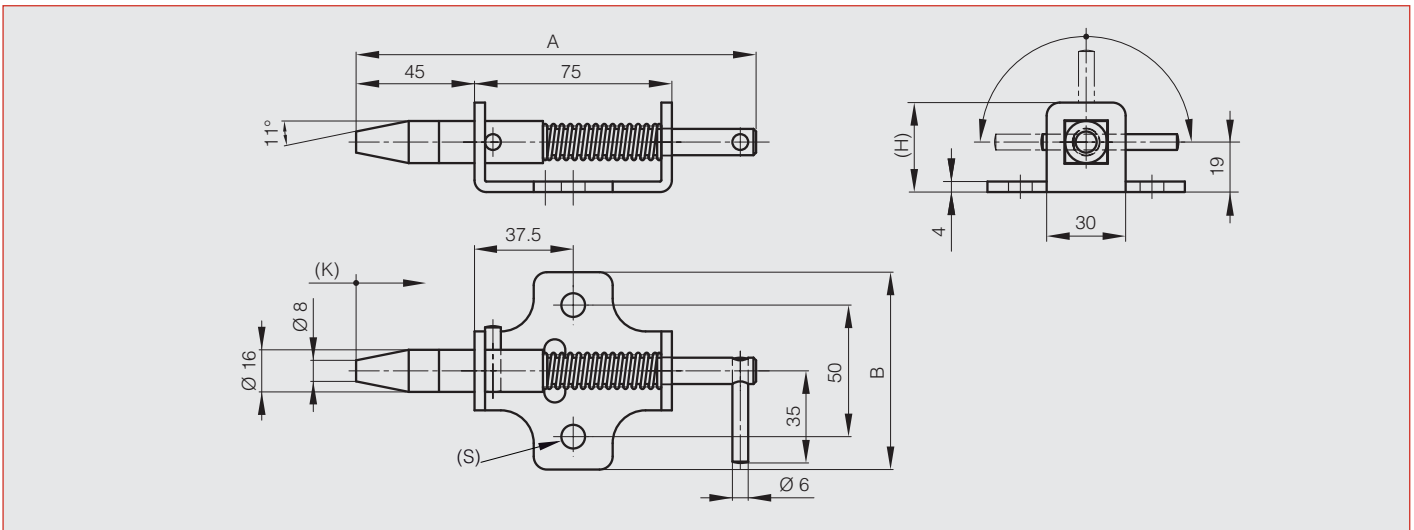
Spring loaded latches

Springloaded bolt with locking system A

Heavy duty range. Stop when open.



Part number	Material	Finish	A	B	H	K	S	Weight (g)
16-1-4034	steel	zinc plated	152	75	34	20	9	340

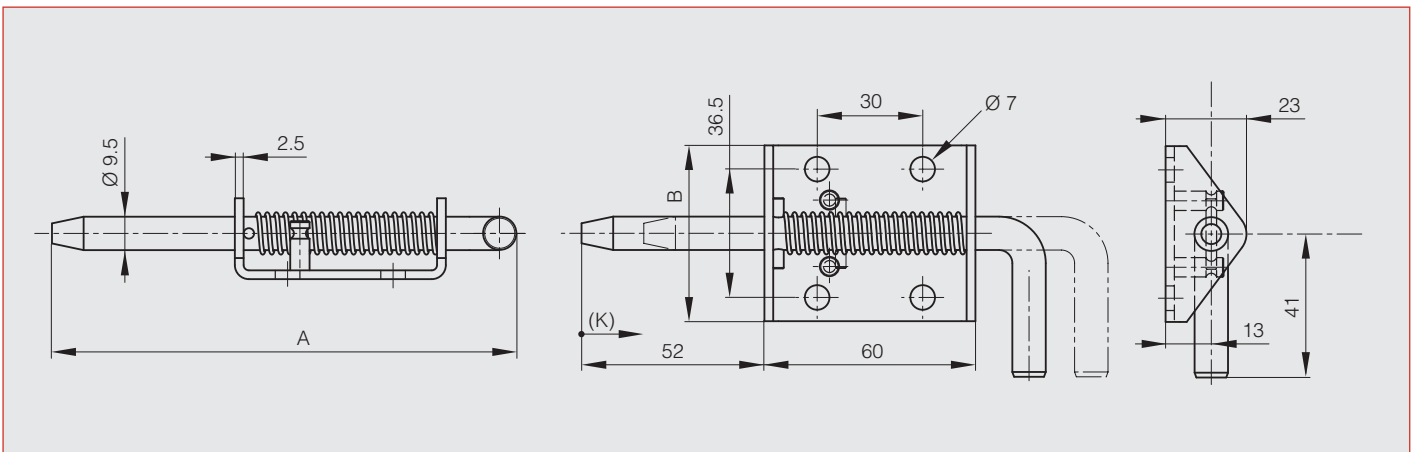


Springloaded bolt with locking system B

Heavy duty range. Stop when open.



Part number	Material	Finish	A	B	K	Weight (g)
16-1-9007	steel	zinc plated	132	50	17	172





Latching systems

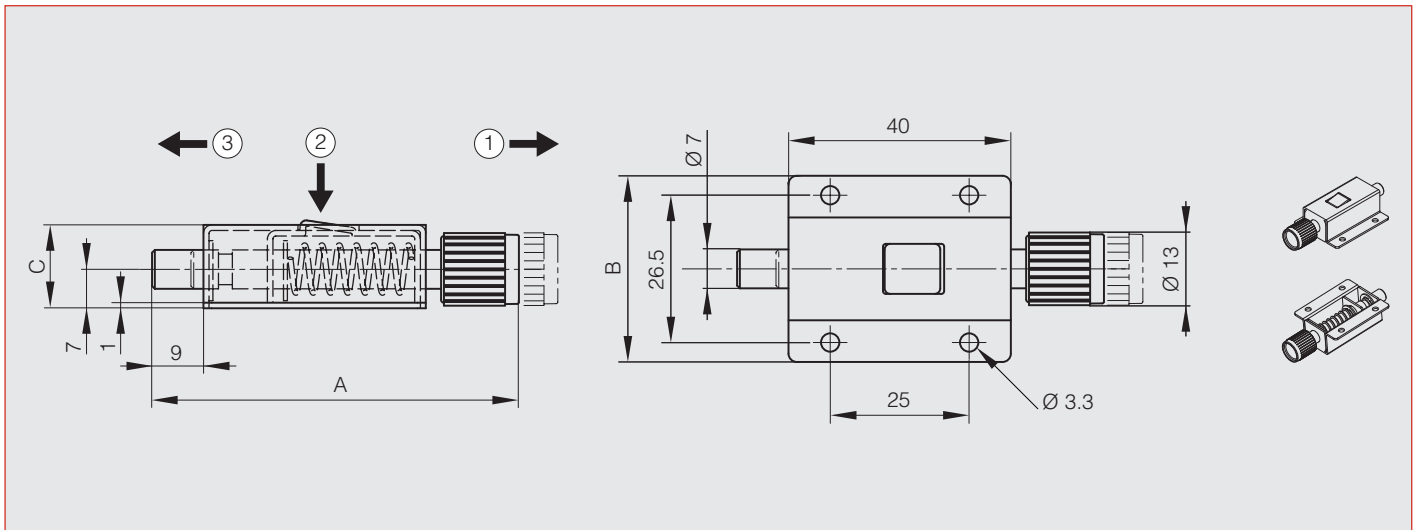
Spring loaded latches

Push barrel bolt

Stainless steel latch with steel shaft and plastic button.



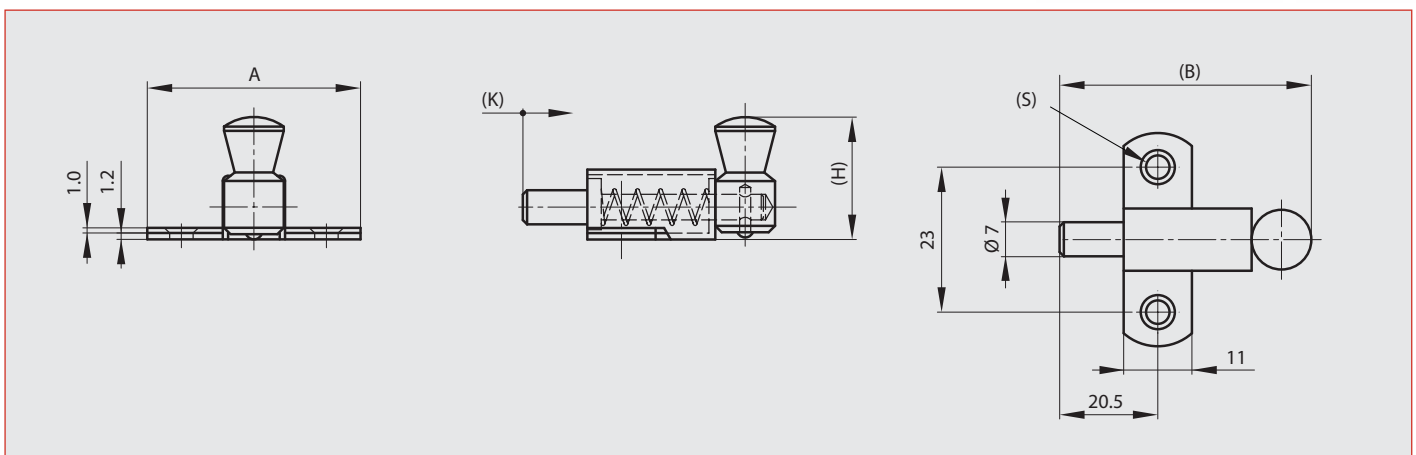
Part number	Material	Finish	A	B	C	Weight (g)
16-1-9008	stainless steel	raw	63.5	33.5	15	44



Springloaded latch with round bolt



Part number	Material	Finish	A	B	H	K	S	Weight (g)
16-1-3647	steel	zinc plated	35	43.5	19	10	3.5	21





Latching systems

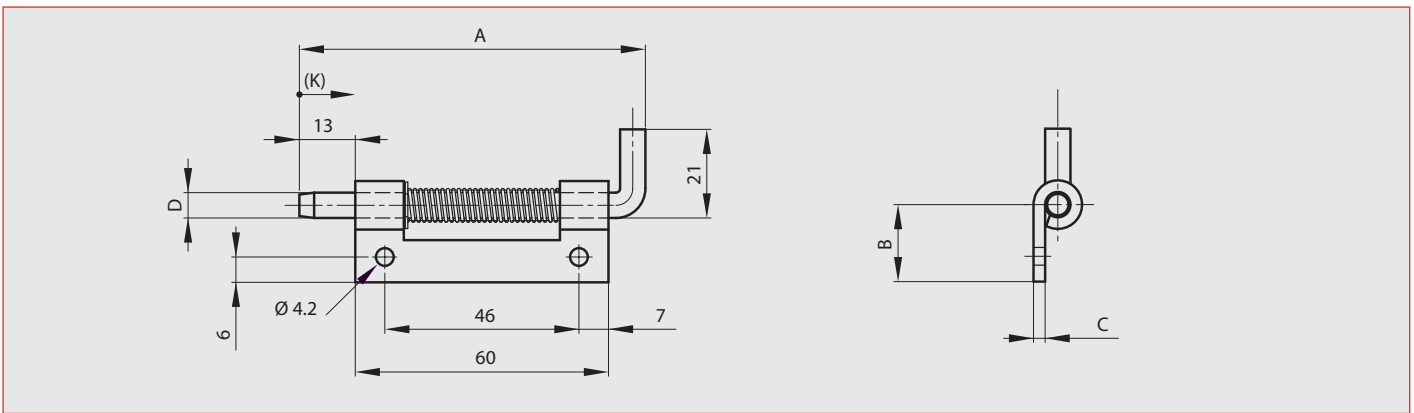
Spring loaded latches

Concealed springloaded pin hinges A

Stainless steel spring. Hinges in raw steel and zinc plated steel with a zinc plated pin. Circlip in 1.4122 stainless steel.



Part number	Material	Finish	A	B	C	D	K	Note	Weight (g)
12-1-3856	steel	raw	82	18.2	2.8	6	12	type 2 as shown below	46.4
12-1-3857	steel	raw	82	18.2	2.8	6	12	type 1 symmetric not shown	46.4
12-1-3854	steel	zinc plated	82	18.2	2.8	6	12	type 2 as shown below	46.4
12-1-3855	steel	zinc plated	82	18.2	2.8	6	12	type 1 symmetric not shown	46.4
12-1-3858	304 stainless steel	raw	82	18.2	2.8	6	12	type 2 as shown below	46.4
12-1-3859	304 stainless steel	raw	82	18.2	2.8	6	12	type 1 symmetric not shown	46.4



Concealed springloaded pin hinges B

Stainless steel spring. Hinges in raw steel and zinc plated steel with a zinc plated pin. Circlip in 1.4122 stainless steel.



Part number	Material	Finish	A	B	C	D	K	Note	Weight (g)
12-1-3950	steel	raw	82	21	14	5	12	type 2 as shown below	38.5
12-1-3951	steel	raw	82	21	14	5	12	type 1 symmetric not shown	38.5
12-1-3860	steel	zinc plated	82	21	14	5	12	type 2 as shown below	38.5
12-1-3861	steel	zinc plated	82	21	14	5	12	type 1 symmetric not shown	38.5
12-1-3862	304 stainless steel	raw	82	21	14	5	12	type 2 as shown below	38.5
12-1-3863	304 stainless steel	raw	82	21	14	5	12	type 1 symmetric not shown	38.5

