

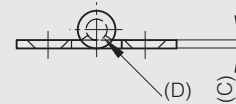
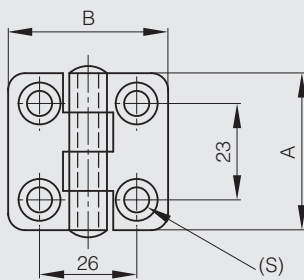


Hinge for marine applications - 36.5 x 38 mm

Riveted pin.



Part number	Material	Finish	A	B	C	D	S	Weight (g)
52-1-3945	316 stainless steel	polished	36.5	38	2	5	6	32

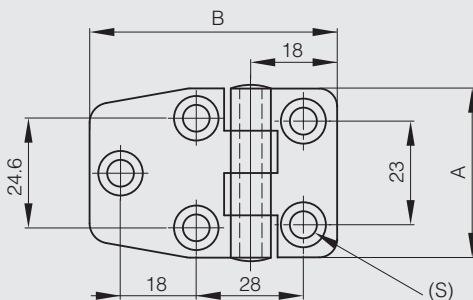


Hinge for marine applications - 36.5 x 56.5 mm

Riveted pin.



Part number	Material	Finish	A	B	C	D	S	Weight (g)
52-1-3947	316 stainless steel	polished	36.5	56.5	2	5	6	40



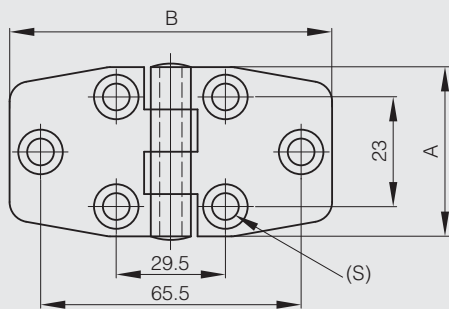


Hinge for marine applications - 36.5 x 76 mm

Riveted pin.



Part number	Material	Finish	A	B	C	D	S	Weight (g)
52-1-3944	316 stainless steel	polished	36.5	76	2	4	6	50

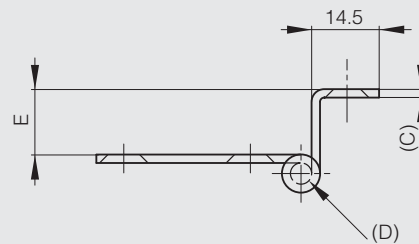
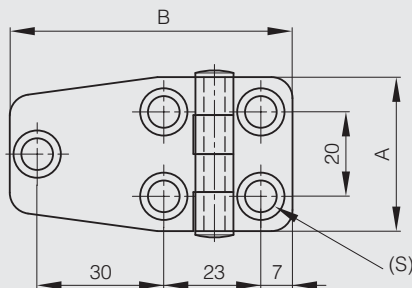


Hinges for marine applications - 36.5 x 65.5 mm

Riveted pin.



Part number	Material	Finish	A	B	C	D	E	S	Weight (g)
52-1-3948	316 stainless steel	polished	36.5	65.5	2	5	19.2	6	54
52-1-3949	316 stainless steel	polished	36.5	65.5	2	5	15.9	6	54
52-1-3950	316 stainless steel	polished	36.5	65.5	2	5	10	6	54





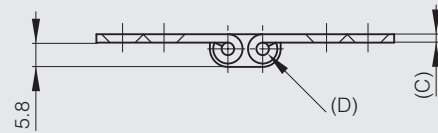
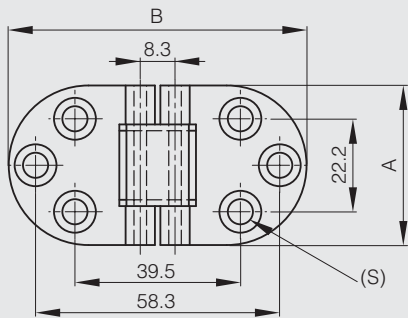
Hinges

Hinges for marine applications

Hinge for marine applications - 38.1 x 71.1 mm



Part number	Material	Finish	A	B	C	D	S	Weight (g)
52-1-3898	316 stainless steel	polished	38.1	71.1	2	3	6	42

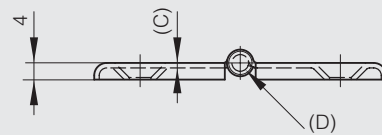
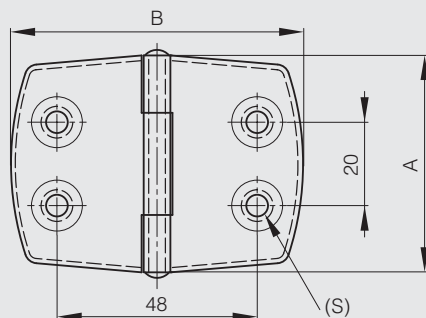


Hinge for marine applications - 52 x 70 mm

Riveted pin.



Part number	Material	Finish	A	B	C	D	S	Weight (g)
52-1-3964	316 stainless steel	polished	52	70	1.2	4	5.2	44





Hinges

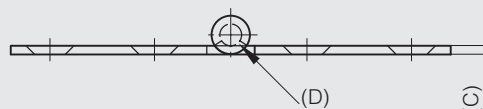
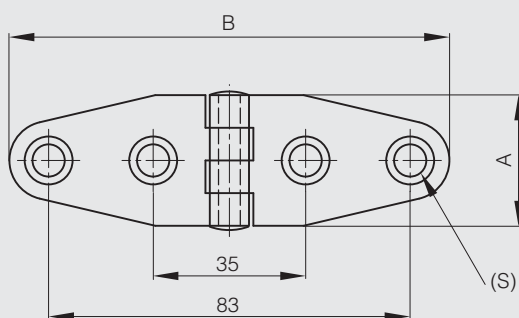
Hinges for marine applications

Hinge for marine applications - 30 x 101 mm

Riveted pin.



Part number	Material	Finish	A	B	C	D	S	Weight (g)
52-1-3954	316 stainless steel	polished	30	101	2	5	6	44

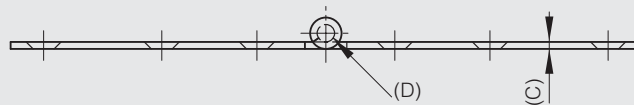
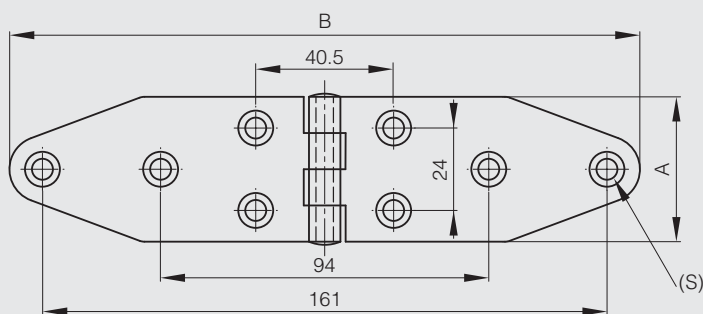


Hinge for marine applications - 38 x 178 mm

Riveted pin.



Part number	Material	Finish	A	B	C	D	S	Weight (g)
52-1-3957	316 stainless steel	polished	38	178	2	5	6	96



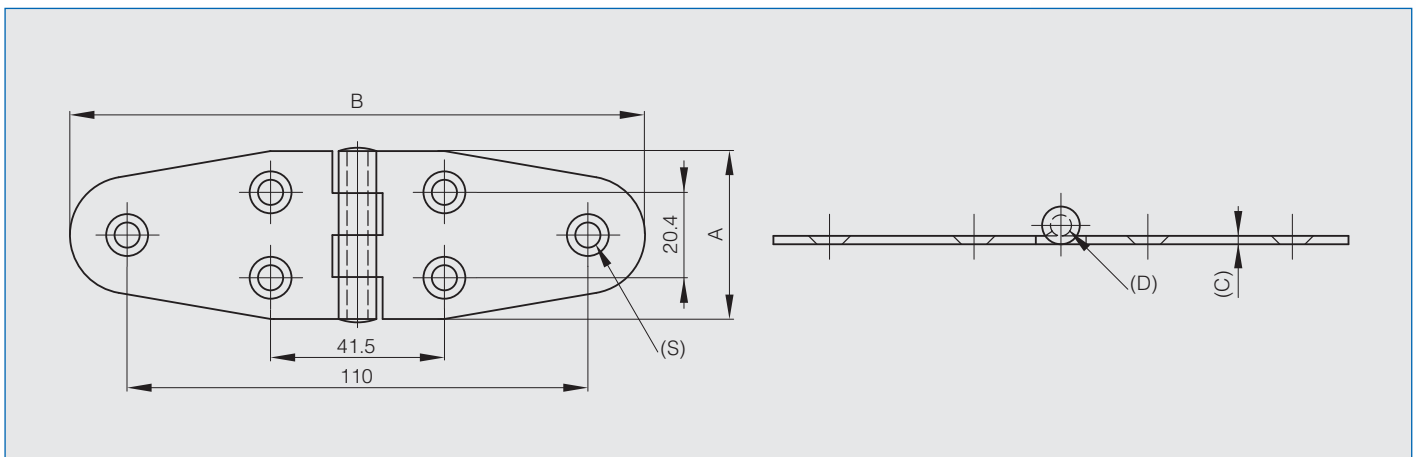


Hinge for marine applications - 40.1 x 137.3 mm A

Riveted pin.



Part number	Material	Finish	A	B	C	D	S	Weight (g)
52-1-3953	316 stainless steel	polished	40.1	137.3	2	5	6	80



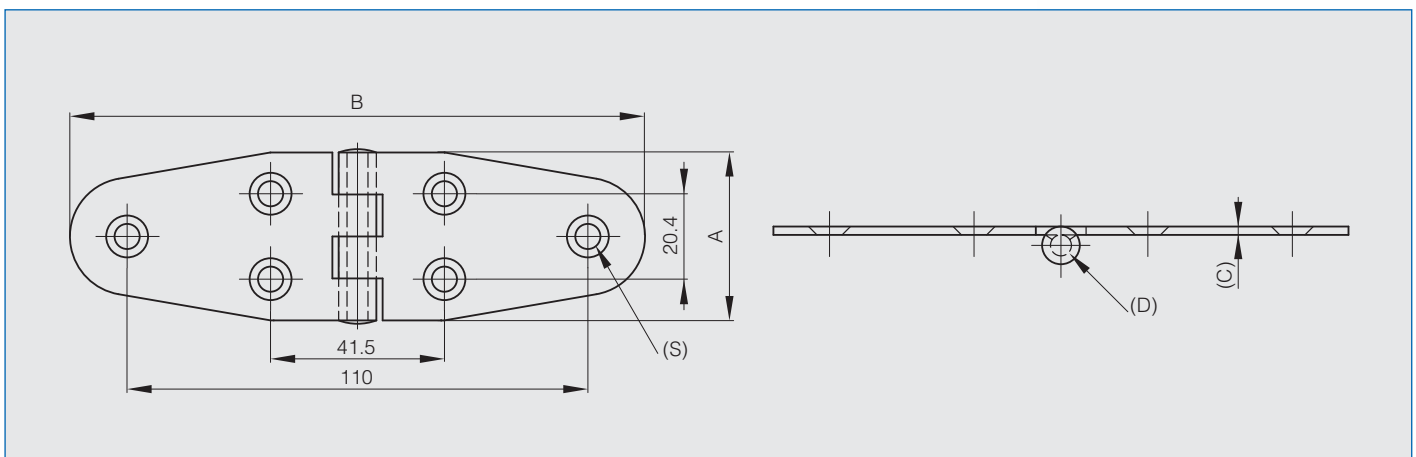
Hinge for marine applications - 40.1 x 137.3 mm B

Riveted pin.

The knuckle is on the opposite side from countersunk holes unlike the other hinges in this range.



Part number	Material	Finish	A	B	C	D	S	Weight (g)
52-1-3946	316 stainless steel	polished	40.1	137.3	2	5	6	80





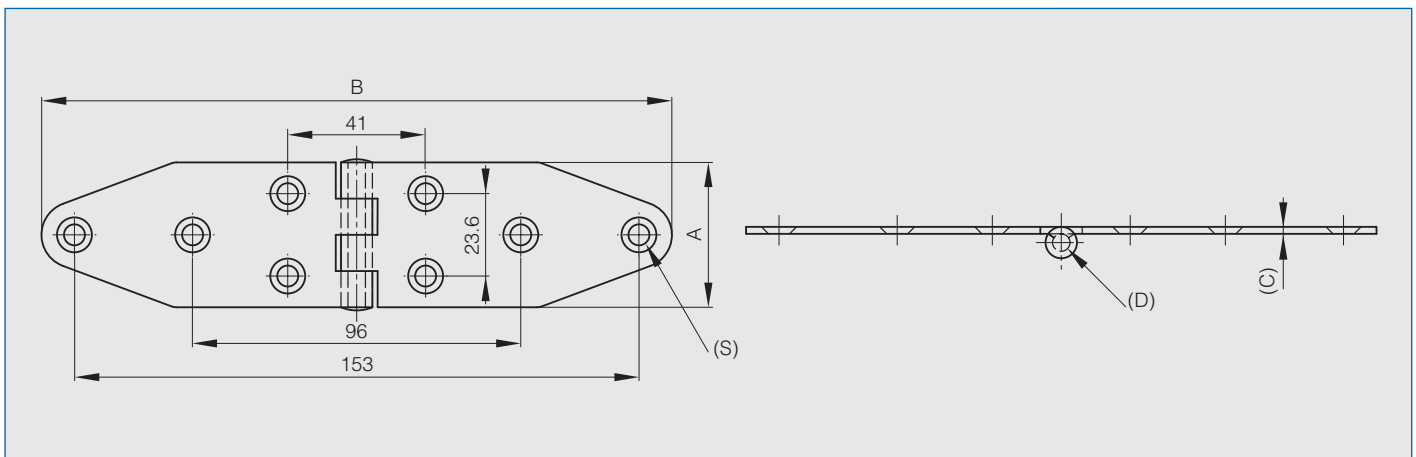
Hinge for marine applications - 41.5 x 172 mm

Riveted pin.

The knuckle is on the opposite side from countersunk holes unlike other hinges in this range.



Part number	Material	Finish	A	B	C	D	S	Weight (g)
52-1-3951	316 stainless steel	polished	41.5	172	2	5	6	102



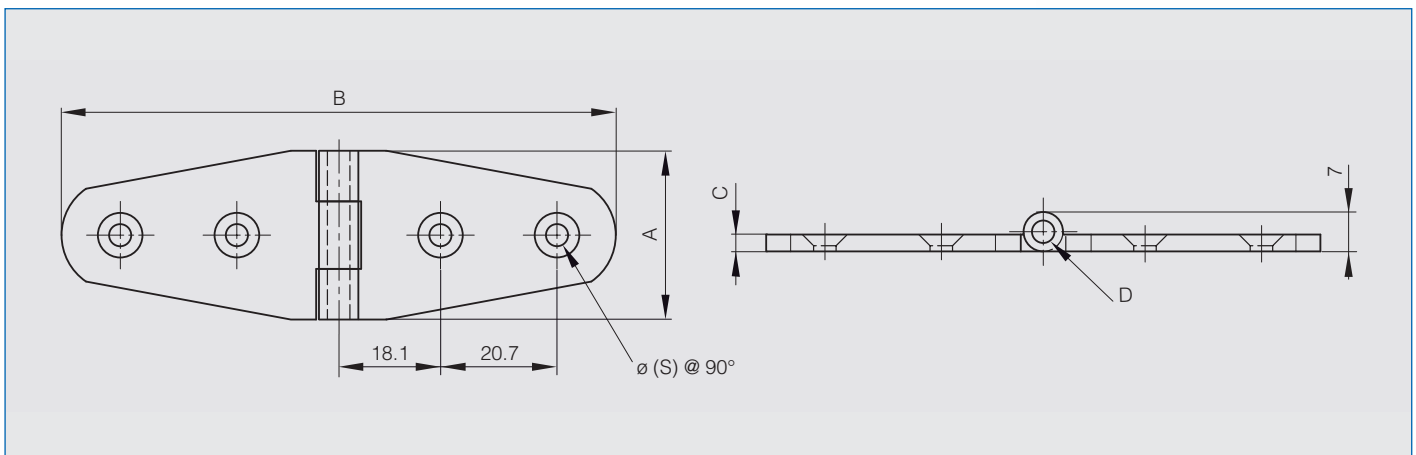
Brass hinge - 30 x 98.5 mm

304 stainless steel pin.

Same shape available for hasp 72-7-3726.



Part number	Material	Finish	A	B	C	D	S	Weight (g)
72-7-3725	brass	chrome plated	30	98.5	3	4	4	56.5





Hinges

Hinges for marine applications

Brass hinge - 30 x 76 mm

304 stainless steel pin.



Part number	Material	Finish	A	B	C	D	S	Weight (g)
72-7-3723	brass	chrome plated	30	76	3	4	4	51

